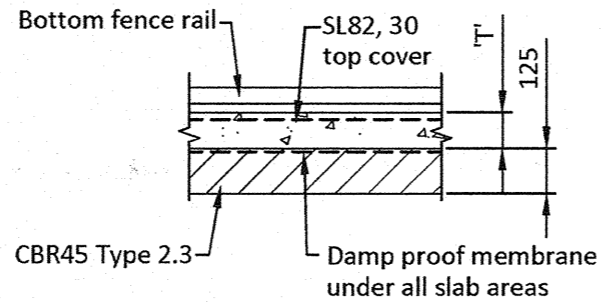
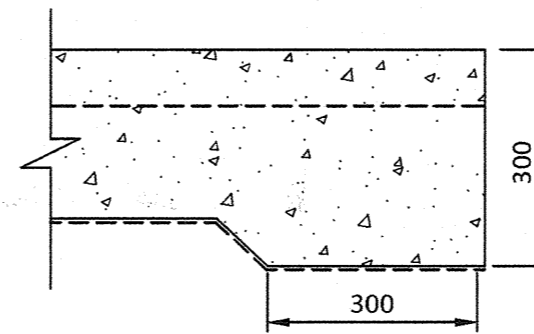


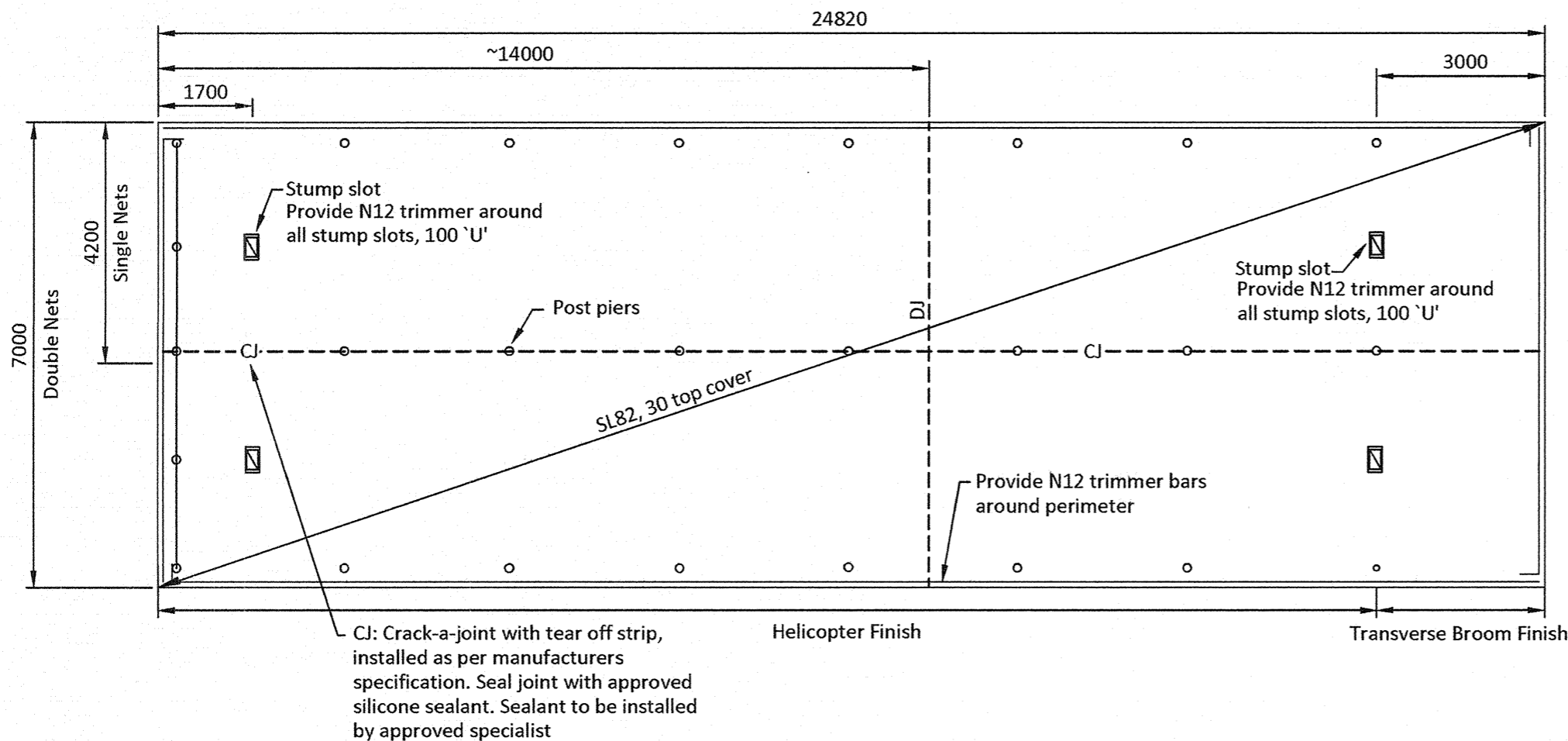
EXPANSION JOINT (DJ)



TYPICAL SLAB DETAIL



SLAB EDGE BEAM



SLAB LAYOUT PLAN

SCALE 1:100

NOTES

GENERAL

1. The site shall be proof rolled with any weak areas over-excavated and backfilled with select site material to 95% standard compaction.
2. A subbase layer, Type 2.3 material shall be placed to a minimum compacted thickness of 125mm & 95% modified compaction.
3. The slab on ground construction is suitable for Class A, S, M, H and E as defined by AS2870.
4. The slab shall be cast and remain unrestrained with no net posts touching the slab on ground.

CONCRETE

1. All workmanship and materials shall be in accordance with A.S.3600
2. Concrete strength shall be N25 with 30mm top cover to reinforcement.
3. The face of all concrete against which new concrete is to be cast is to be thoroughly scabbled.
4. All concrete surfaces are to be cured for seven days after casting using a curing compound that conforms to the relevant Australian Standards and is compatible with the specified finishes. Unless noted otherwise.
5. Damp proof membrane shall consist of 0.2mm polyethylene film with 200mm laps at joins. It shall be placed under slab and any ground beams.

REINFORCEMENT

1. All reinforcing to be in accordance with AS1302, 1303 and 1304.
2. Fabric:-220mm (2 cross wires + 20mm) Slabs on ground.
3. Chair up all reinforcing at 800mm (maximum) centres to ensure correct covers during concrete pour.
4. Reinforcement is shown diagrammatically & not necessarily in true projection.
5. Welding of reinforcement is not permitted.

REVISIONS					
AMENDMENT	INITIALS	DATE	AMENDMENT	INITIALS	DATE
F				L	
E				K	
D				J	
C				I	
B				H	
A				G	
ORIGINAL ISSUE					

IPSWICH CITY COUNCIL
 45 Roderick St
 P.O. Box 191
 Ipswich QLD 4305
 Australia

Tel (07) 3810 7894
 Tel (07) 3810 7927
 Fax (07) 3810 7950

APPROVED

 CHIEF OPERATING OFFICER (WPR)
 DATE 29-7-13

STANDARD DRAWING

SPORTS AMENITY - CRICKET NETS 2 of 2

PARKS

SP.90B

REV: A DRAWER: 100