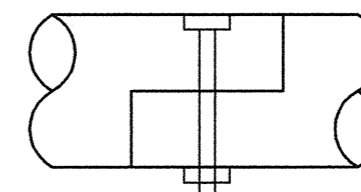
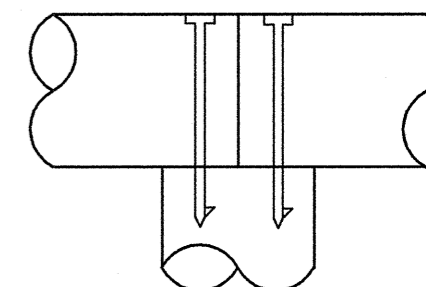


**SECTION**

10mm galvanised bolt 300mm long projecting 95mm above pipe. Check nut into log, punch thread.

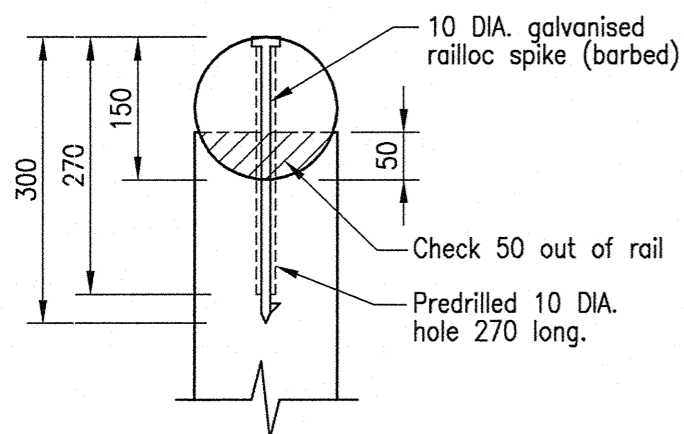


**TYPE 1**

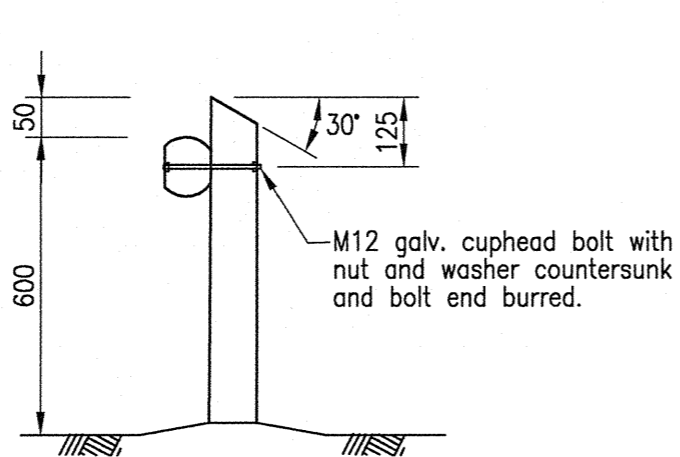


**TYPE 2**

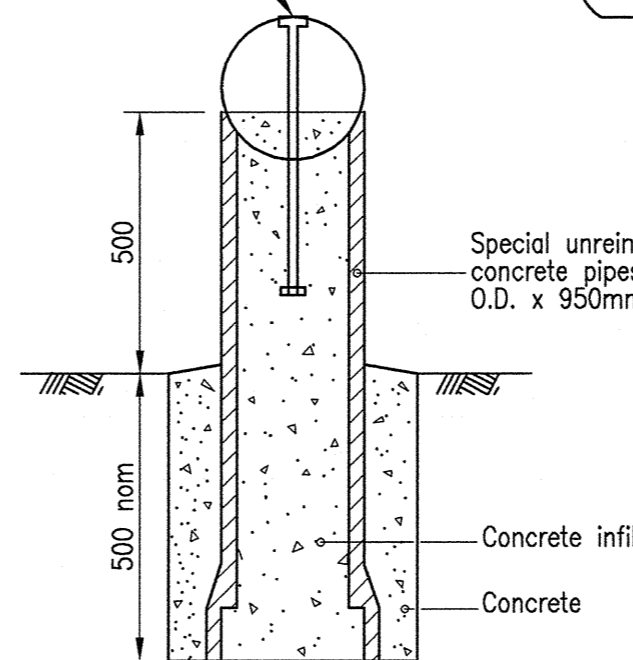
**TYPICAL RAIL JOINTS FOR CONTINUOUS FENCING**



**DETAIL A**



**ALTERNATIVE RAIL**



**ALTERNATIVE POST**

**NOTES**

1. Concrete N25 in accordance with AS 1379 and AS 3600.
2. CCA log barriers to be 150 diameter, Grade A superlogs or equivalent treated to AS 1604.
3. Paint all cut surfaces with CUPRINOL or equivalent.
4. Cup head bolts to AS/NZS 1390. Nuts to AS 1112. Washers to AS 1237. Galvanised to AS 1214 and AS 4680.
5. All dimensions in millimetres.

REVISIONS					
AMENDMENT	INITIALS	DATE	AMENDMENT	INITIALS	DATE
F				L	
E				K	
D				J	
C				I	
B			Note 4 Aust. Stds. Updated.	H	
A			ORIGINAL ISSUE	G	

**IPSWICH CITY COUNCIL**  
 45 Roderick St  
 P.O. Box 191  
 Ipswich QLD 4305  
 Australia

Tel (07) 3810 7894  
 Tel (07) 3810 7927  
 Fax (07) 3810 7950

APPROVED  
  
 CHIEF OPERATING OFFICER (ES)  
 DATE 14.9.10

**STANDARD DRAWING**

**LOG BARRIER FENCING**

ROADWORKS

**SR.35**

REV: B DRAWER: 100