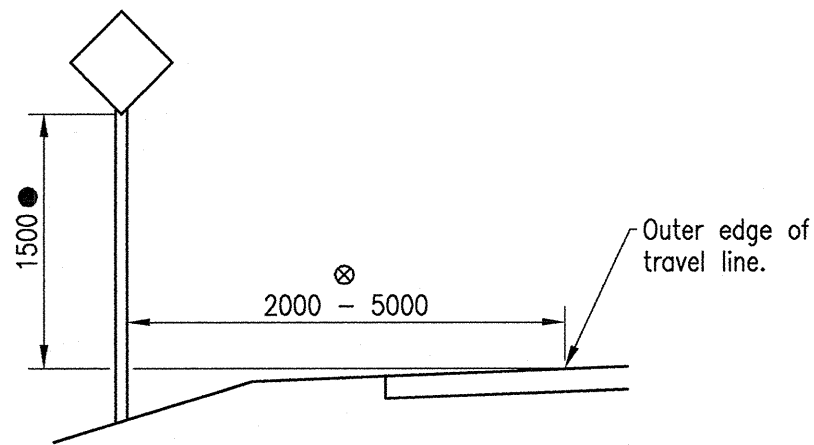
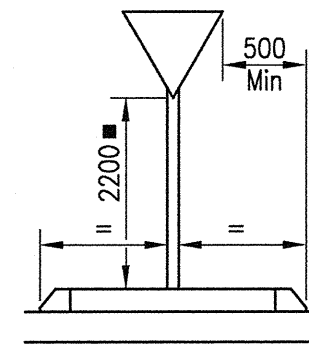


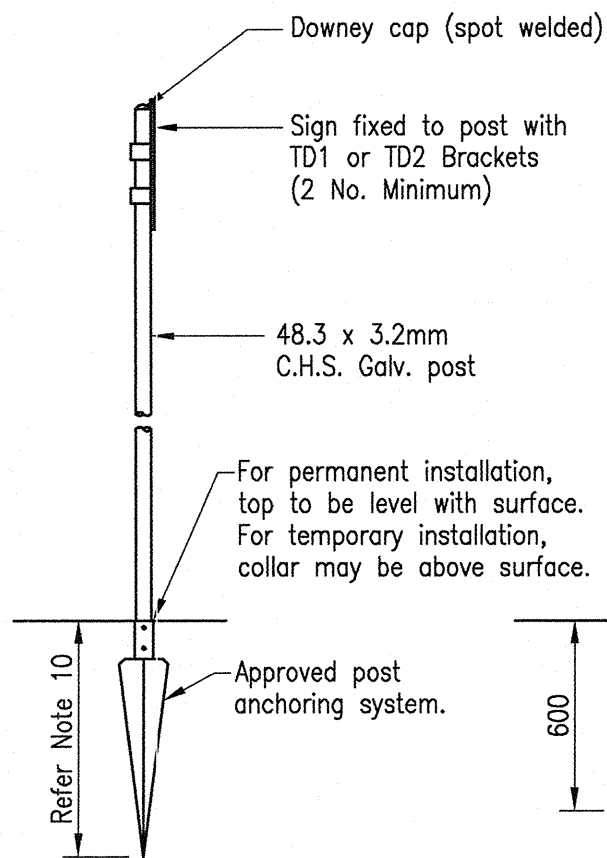
STREETS



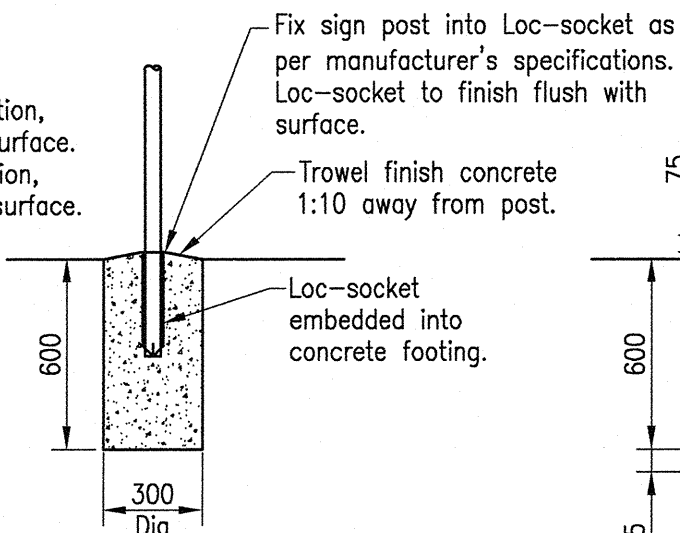
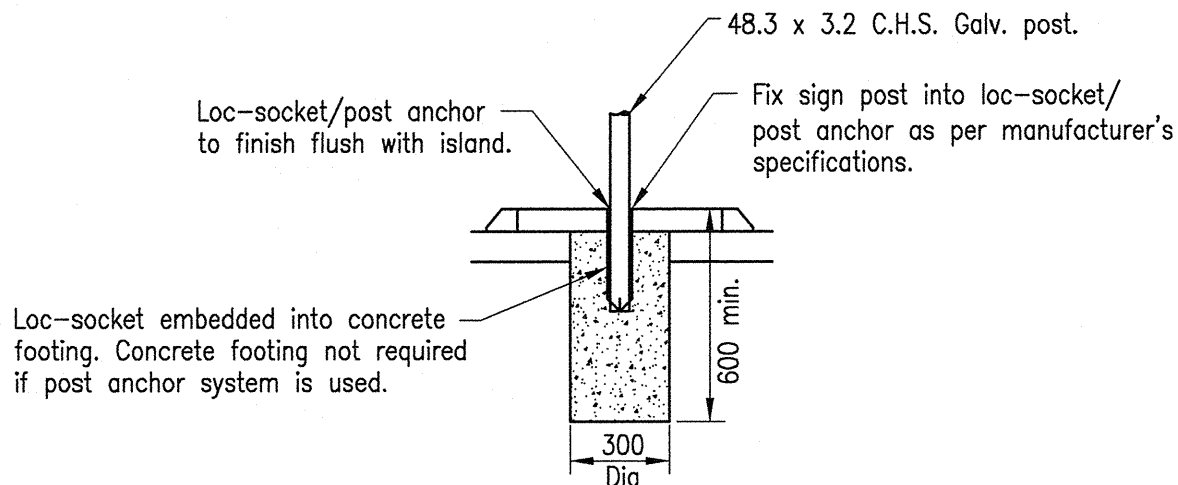
**RURAL ROADS
LOCATION OF SIGNS**



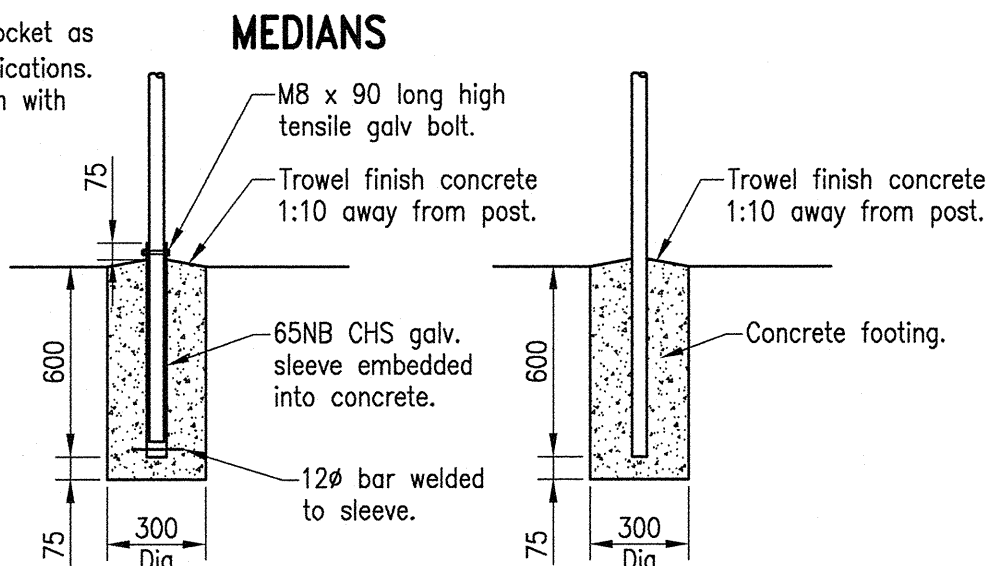
MEDIANS



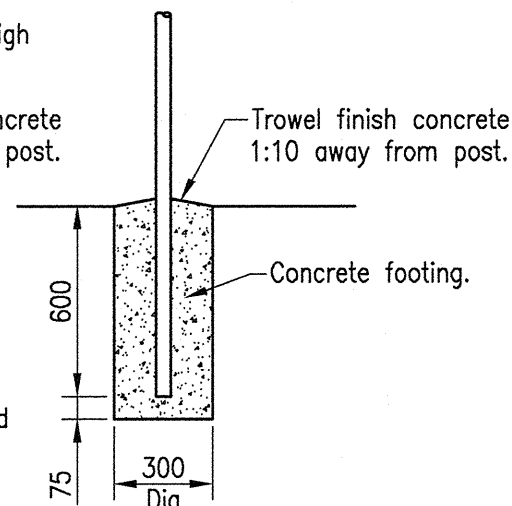
TYPICAL POST ANCHOR



LOC-SOCKET (OR SIMILAR)



TYPICAL SLEEVE



CONCRETE FOOTING

TRAFFIC SIGN DETAILS

NOTES

1. Refer Queensland Manual of Uniform Traffic Control Devices (Part 1) for further information on sign.
2. All signs are to be approved by Council's Engineer prior to erection. Special conditions may require placement or height of sign to be adjusted (e.g. Adjusting sign height to avoid obstructing sight distance at an intersection).
3. Sign type and size has been included in the schedule and/or in the project drawings.
4. Appropriate Main Roads standards are to be adopted for signs larger than 1m² in area, as indicated in the project drawings.
5. All signs to be reflectorised Class 1 to AS1743 unless noted otherwise.
6. Signs shall be made out of aluminium or aluminium alloy not less than 2mm thick to AS 2848.
7. All pipes to be galvanised, Steel pipe to AS 1163. Galvanising to AS 4792.
8. Concrete N20 in accordance with AS 1379 and AS 3600.
9. Hexagonal head bolts to AS 1111
Nuts to AS 1112
Washers to AS 1237
Galvanising to AS 1214 & AS 4680
10. Council approved post anchoring system to be installed to comply with manufacturer's specifications.
11. All dimensions in millimetres.
12. 12mm Bars, Grade 250 Steel to AS 3679, Galvanised to AS 4680

LEGEND

- * When sign overhangs a footway, dimension to be 2500.
- Parking and Guide signs to be 2200 above road surface.
- Some signs (Keep Left, No-U Turn, D4 Hazard series) to be mounted at 525. Height can be adjusted if there is a visibility problem.
- ⊗ At least 600 clearance to be provided to outer edge of shoulder, line of guide posts or guardrail.

REVISIONS					
AMENDMENT	INITIALS	DATE	AMENDMENT	INITIALS	DATE
F				L	
E				K	
D				J	
C		14/9/10	Note 12 added, Aust. Std. updated, Posts updated	I	
B		14/9/10	Footing details changed to include post anchor system.	H	
A			ORIGINAL ISSUE	G	

IPSWICH CITY COUNCIL
 45 Roderick St
 P.O. Box 191
 Ipswich QLD 4305
 Australia

Tel (07) 3810 7894
 Tel (07) 3810 7927
 Fax (07) 3810 7950

APPROVED

 CHIEF OPERATING OFFICER (ES)
 DATE 14.9.10

STANDARD DRAWING

TYPICAL SINGLE POST TRAFFIC SIGN

ROADWORKS

SR.25

REV: C DRAWER: 100