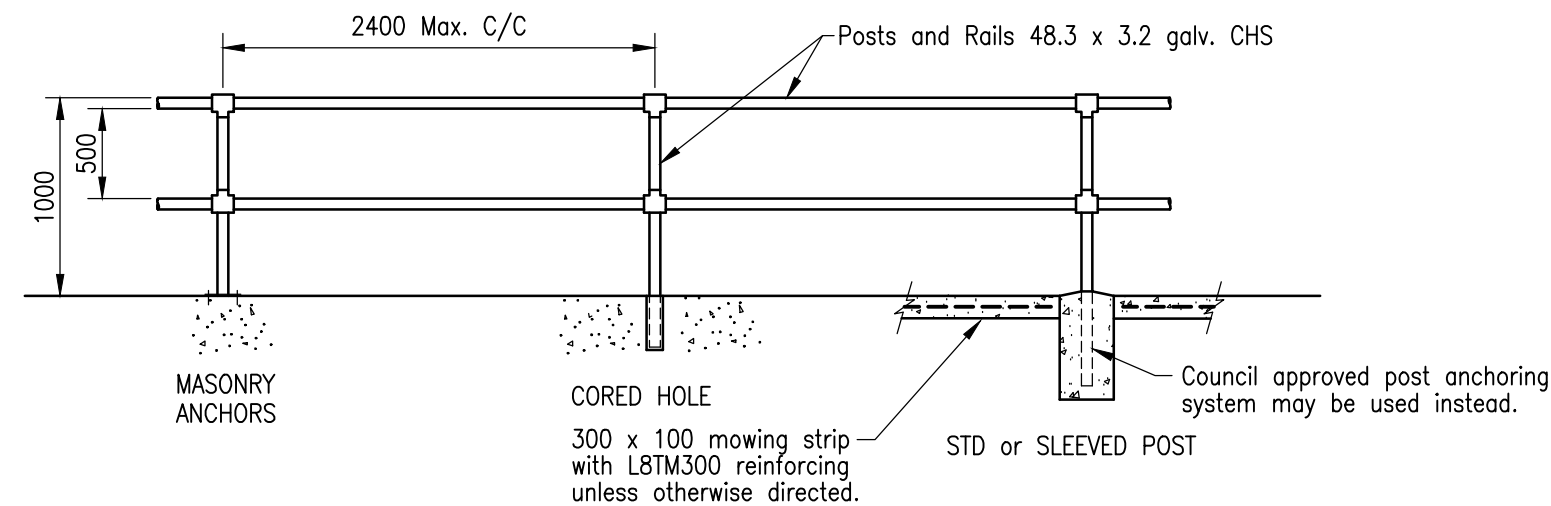
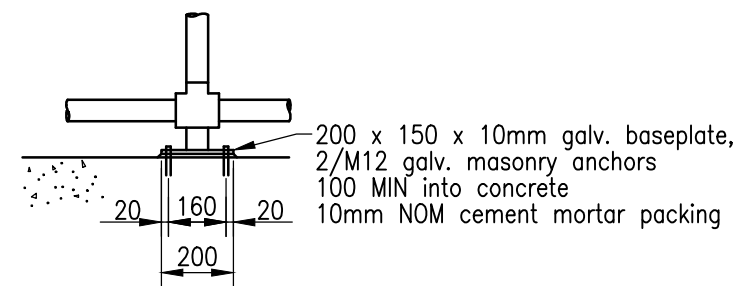
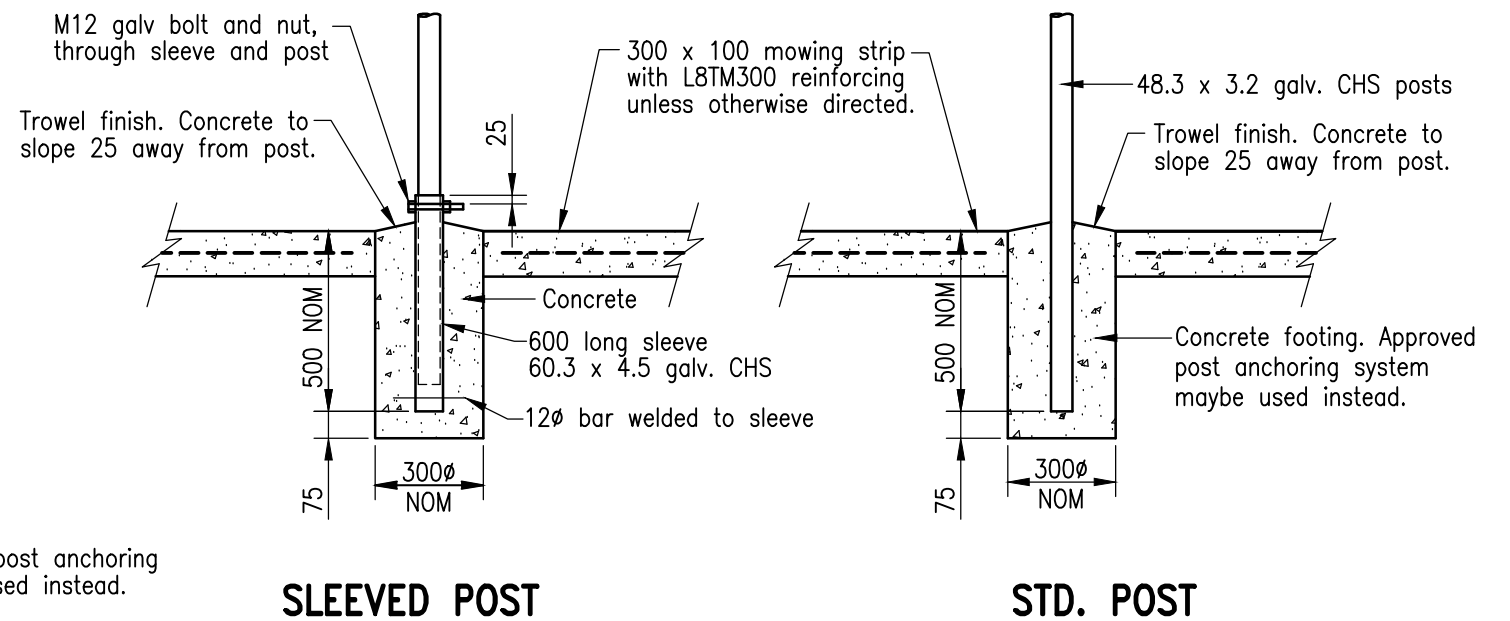


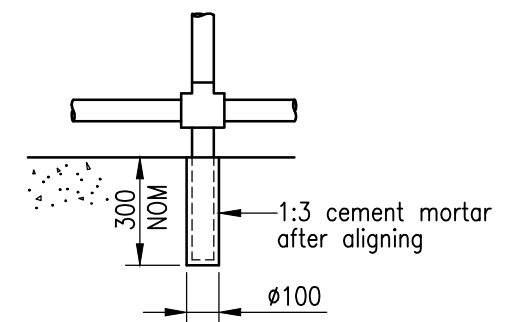
**TYPE 1 - A (Height - 1100)**  
**TYPE 1 - B (Height - 1350)**



**TYPE 2**



**MASONRY ANCHORS**



**CORED HOLE**

**FOOTING DETAILS**

**NOTES**

1. Refer project drawings for type of footing to be adopted.
2. Construction of posts & rails shall be done using standard coupling connections. Where used in bushland, remote or natural areas, all Coupling Bolts and Caps to be welded to prevent dismantling and removal of components.
3. Galvanised chainwire to be 2.6mm thick x 50 mesh to AS 2423.
4. 12Ø bars, Grade 250 steel to AS 3679, Galvanised to AS 4680.
5. Hexagonal head bolts to AS 1111. Nuts to AS 1112. Washers to AS 1237. Galvanised to AS 1214 and AS 4680.
6. All rails and posts galvanised pipe to AS 1163 and AS 4792.
7. Concrete N25 in accordance with AS 1379 and AS 3600.
8. Council approved post anchoring system can be used. Refer Std. Drg. SR.25 for details.
9. All dimensions in millimetres unless noted otherwise.
10. Reinforcing Fabric to AS 4671, 50mm Top and Edge cover, Lap Fabric 250mm.

REVISIONS					
AMENDMENT	INITIALS	DATE	AMENDMENT	INITIALS	DATE
F				L	
E				K	
D		07/2020	Sleeved Post Footing Dimension amended, border amended, Note 2 Amended.	J	
C			Notes 4,5 and 6 Aust. Stds. updated. Post and Rail sizes amended. Note 10 added.	I	
B			Post anchor system and compulsory mowing strip added	H	
A			ORIGINAL ISSUE	G	



**IPSWICH CITY COUNCIL**

P.O. Box 191 Ipswich QLD 4305 Australia  
 Telephone: (07) 3810 6666  
 Website: www.ipswichplanning.com.au

**STANDARD DRAWING**

TUBULAR STEEL FENCE  
 WITH & WITHOUT CHAIN WIRE

ROADWORKS

**SR.33**

REV: D DRAWER: 100