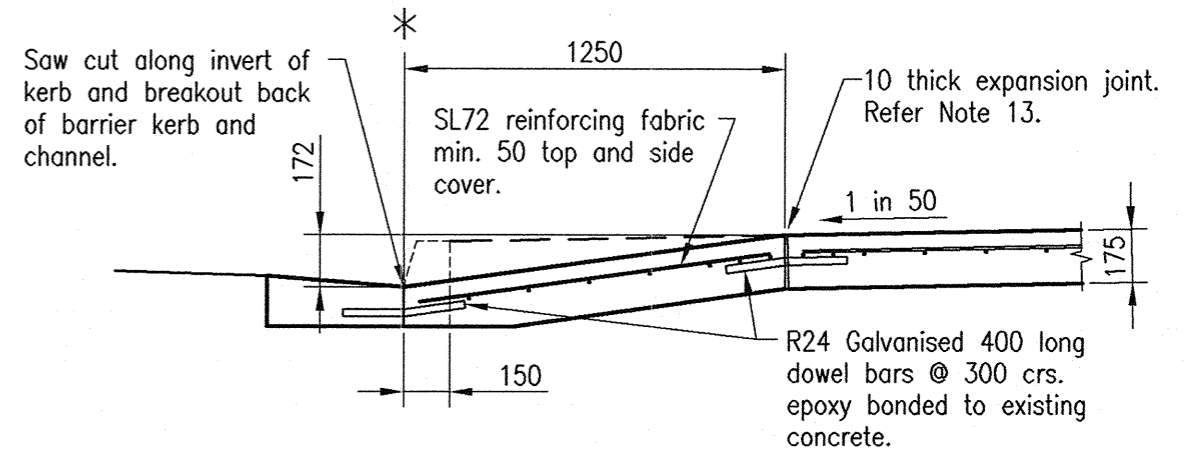
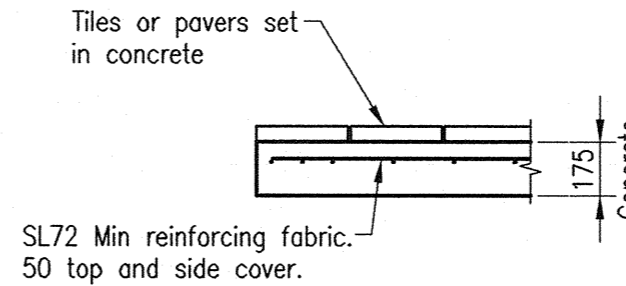


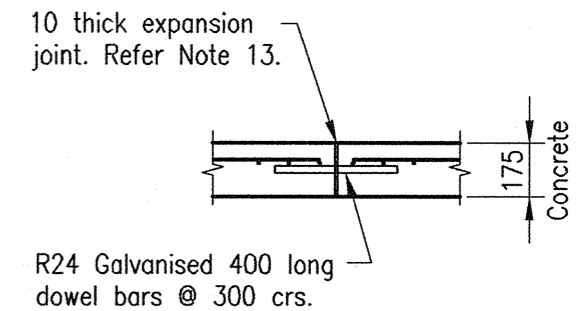
PLAN



DRIVEWAY DETAIL SECTION



PAVING
(where specified)



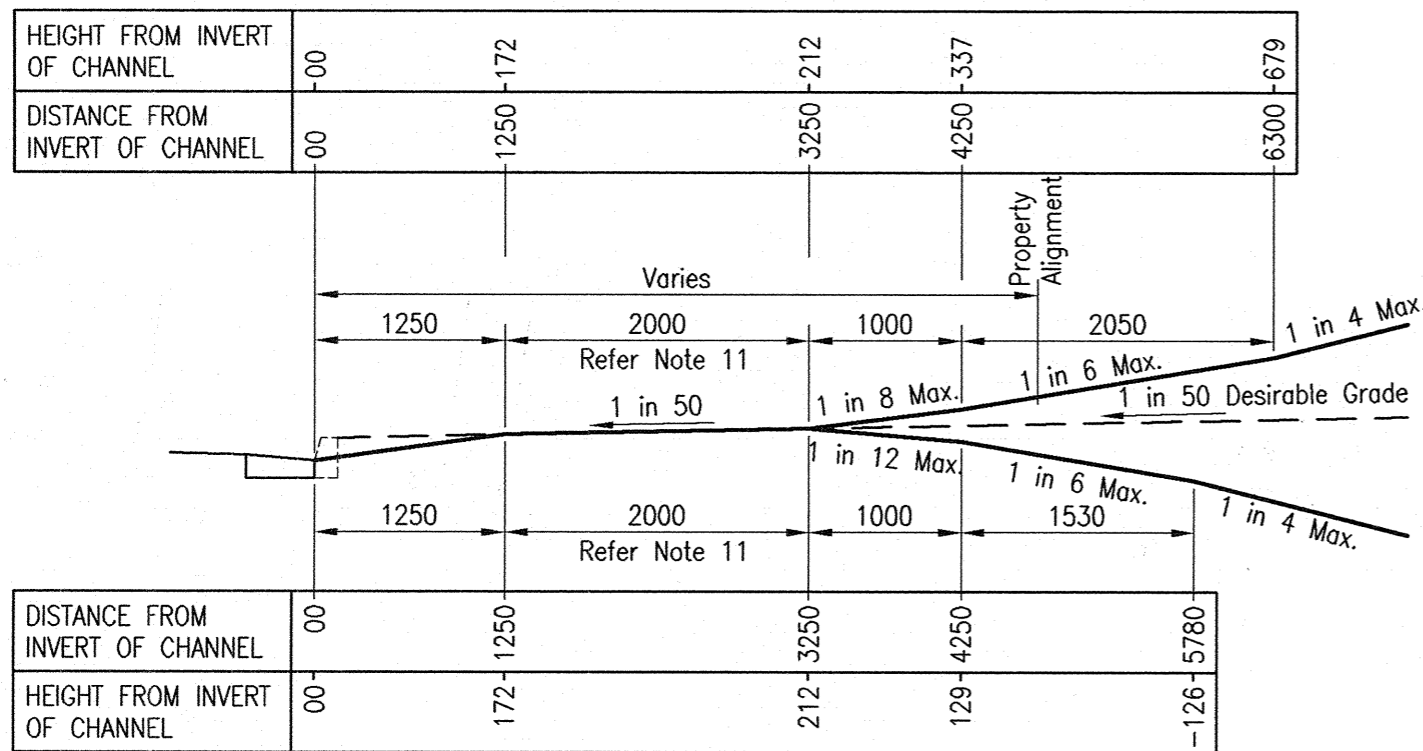
EXPANSION JOINTING DETAIL

NOTES

- Concrete N32 in accordance with the A.S.1379 and A.S.3600
- Reinforcing fabric to A.S.4671. 50mm top and edge cover Lap fabric 250mm.
- Depths of concrete and reinforcing steel shown are the minimum requirements for good foundation conditions. and average traffic loading. Where this does not apply, depths of concrete and reinforcing shall be increased to suit specific conditions.
- For dimensions X & Y, refer A.S.2890.1.2004 and A.S.2890.2.
- Design of crossing may vary (eg. larger vehicles). Refer project documents.
- Reprofile adjacent footpath to match driveway. Footpath earthworks adjoining concrete must be well compacted.
- Existing footpath profile to be maintained where possible.
- Compaction of subgrade 95% Standard to A.S.1289.5.1.1.
- Where subgrade is less than CBR 5 excavate and provide imported materials to satisfaction of the Council's Engineer.
- A Vehicular Access permit must be obtained from Council. Seek approval of location and levels prior to excavation.
- The Engineer may direct that this dimension be varied. The verge profile for the access may be varied to suit difficult or existing situations with approval from Council's Engineer.
- A grated drain may be provided on the inside of the property alignment as ascending entrances and piped to kerb and channel or gully. Refer project documents. Provide expansion joint if joining to concrete.
- Expansion joints to be 10mm thick, full depth closed cell cross linked polyethylene foam (85-150kg/m³). All construction joints to be doweled.
- For all vehicular access on Department of Transport and Main Roads declared roads, Department of Transport and Main Roads approval is required.
- All dimensions are in millimetres unless noted otherwise.
- Crossings designed to suit a B99 vehicle in accordance with A.S.2890.1.2004.

LEGEND

* Extent of roadway - invert of kerb.



TYPICAL DRIVEWAY PROFILE - SECTION A - A

REVISIONS					
AMENDMENT	INITIALS	DATE	AMENDMENT	INITIALS	DATE
F					
E			Invert height and wings altered. Profile changed. Note 16 added.	K	
D			Note 14 Altered	J	
C			Note 1 Altered, Note 13 Added & Joints Detail Altered	I	
B			Note 2 Aust.Std. updated, Rev Labels updated	H	
A			ORIGINAL ISSUE	G	

IPSWICH CITY COUNCIL
 45 Roderick St
 P.O. Box 191
 Ipswich QLD 4305
 Australia

Tel (07) 3810 7894
 Tel (07) 3810 7927
 Fax (07) 3810 7950

APPROVED

 CHIEF OPERATING OFFICER (WPR)
 DATE 29-7-13

STANDARD DRAWING
STANDARD COMMERCIAL DRIVEWAY
INVERT AND SLAB
TYPE B-TWO WAY ACCESS

ROADWORKS
SR.14
 REV: E DRAWER: 100