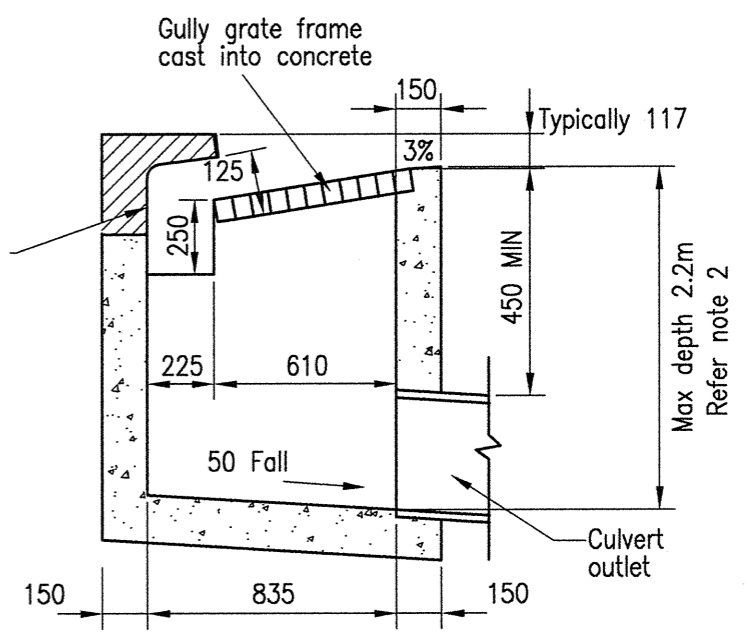


SECTION A - A

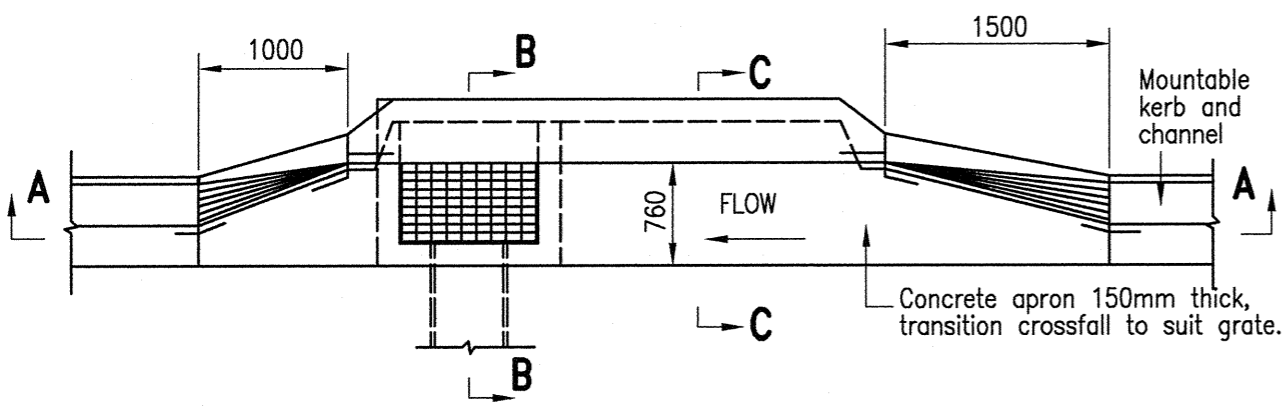
Step rungs are required for pits only when depth is deeper than 1200. Refer Std. Drg. SD.10

Subsurface drainage. Refer Std. Drg. SR.20.

Manufacturer's identification to be shown on this face.

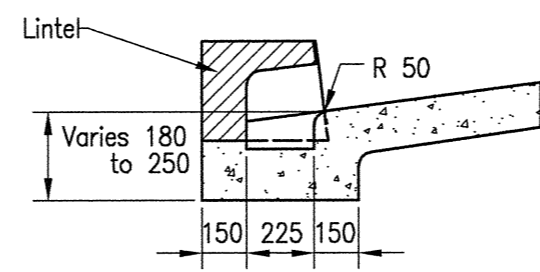


SECTION B - B

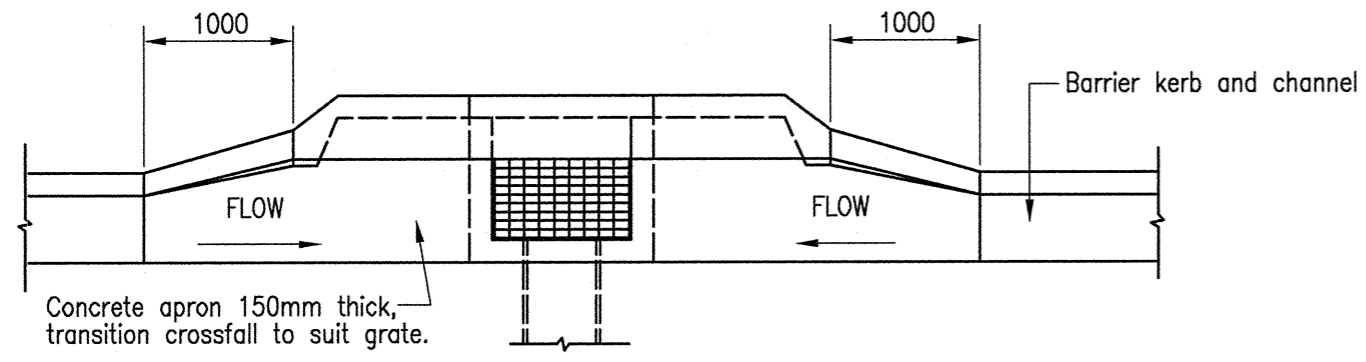


TYPICAL INLET ON GRADE

Type R (Flow from right hand side)



SECTION C - C



TYPICAL INLET IN SAG

NOTES

1. Concrete class to be N32/20 in accordance with AS 1379 and AS 3600.
2. Concrete insitu pits up to a depth of 2.2 metres do not require steel reinforcement. One layer of SL81 reinforcing fabric is to be placed centrally in the walls for pit depths 2.2 to 3.0 metres. Reinforcing fabric to AS 4671.
3. Grates and frames shall comply with the requirements of AS 3996 Class D design load. Bicycle safety testing of grates shall be in accordance with AS 3996. High efficiency hydraulic grates may be used where cyclists are prohibited e.g. Motorways. Hinged grates are to be provided with a positive mechanical retainer to secure them firmly in place when in the open position. Approved grates and frames for this standard gully are to be used. Refer Std. Drg. SD.07 for details of standard grate and frame.
4. Where a subsoil drain is discharged into a gully pit, the outlet of the subsoil drain should be preferably located above the top of the stormwater pipes/culverts.
5. Live load surcharge, earth pressure and ultimate load factors are in accordance with Australian Bridge Design Code.
6. Precast inlet units may be used and installed to the manufacturer's details, provided they conform to AS 3600 and Australian Bridge Design Code.
7. Install a 100 dia. agg. pipe stub with sock 1000 long with end cap installed on the upstream side of pipe entry (unless directed otherwise). The stub is required to dewater the pipe trench.
8. Dimensions are in millimetres unless shown otherwise.

REVISIONS					
AMENDMENT	INITIALS	DATE	AMENDMENT	INITIALS	DATE
F				L	
E				K	
D				J	
C				I	
B				H	
A				G	

Notes 1 and 2 Amended. Note 2 Aust. Std. Updated.
ORIGINAL ISSUE

IPSWICH CITY COUNCIL
 45 Roderick St
 P.O. Box 191
 Ipswich QLD 4305
 Australia

Tel (07) 3810 7894
 Tel (07) 3810 7927
 Fax (07) 3810 7950

APPROVED
RDM
 CHIEF OPERATING OFFICER (ES)
 DATE 11.9.10

STANDARD DRAWING
STANDARD GRATED INLET PIT
GENERAL ARRANGEMENT
LIP IN LINE

DRAINAGE
SD.04
 REV: B DRAWER: 100