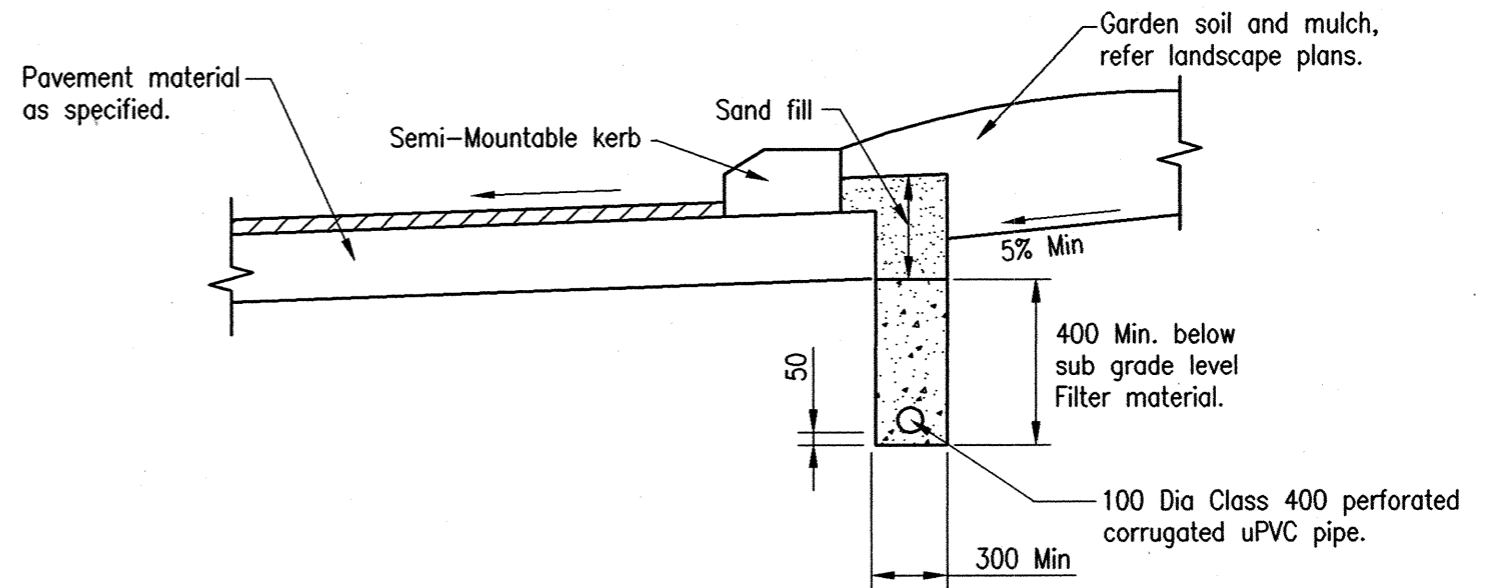


SUBSURFACE PAVEMENT DRAIN



**SUBSURFACE DRAINAGE DETAILS
AT MEDIANS/ISLANDS**

NOTES

1. All subsurface drains, polyethylene corrugated slotted pipe Class 400 to AS 2439.1 or equivalent Council approved product. (When subject to heavy traffic loading, Class 1000 to be used.)
2. Diameter of perforated corrugated uPVC pipe to be 100 NOM. unless otherwise specified.
3. Filter materials to be approved by Council's Engineer. A geofabric filter cloth may be required to line trenches where requested by Council's Engineer. (BIDM A14 or equivalent)
4. Minimum cover over subsurface drain pipe for various compactors unless approved otherwise:
Hand Held units - 100, Units < 15 tonnes - 200, Units > 15 tonnes - 300
5. Subsurface drains shall be constructed after placement of lower sub-base material, or after preparation of pavement box on minimum depth pavements.
6. Council's Engineer may, when conditions are suitable, approve the construction of the subsurface drains prior to placement of subgrade replacement material or lower sub-base material or lower sub-base material subject to the bedding/filter material being brought to the underside of the upper sub-base level.
7. This drawing is to be read in conjunction with Standard Drawing SR.21.
8. All dimensions are in millimetres unless shown otherwise.

REVISIONS						
AMENDMENT	INITIALS	DATE		AMENDMENT	INITIALS	DATE
F					L	
E					K	
D					J	
C					I	
B				Subsurface pipe class amended	H	
A				ORIGINAL ISSUE	G	

IPSWICH CITY COUNCIL

50 SOUTH STREET
IPSWICH 4305
P.O. BOX 191



Phone (07) 3810 7894
(07) 3810 7927
Fax (07) 3810 7950

APPROVED
R. O. L.
WORKS MANAGER
DATE *11.3.07*

STANDARD DRAWING

SUBSURFACE DRAINAGE

ROADWORKS

SR.20

REV: B DRAWER: 100