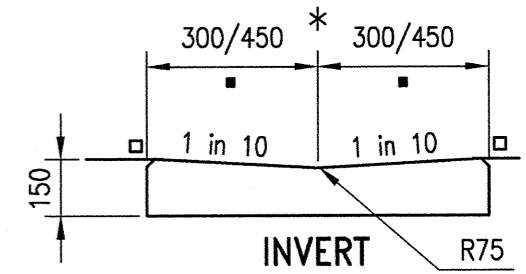
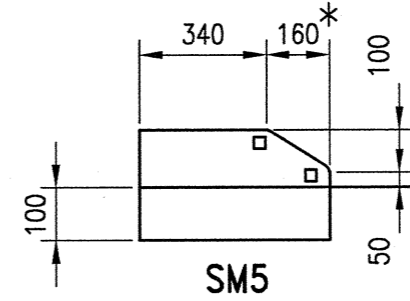
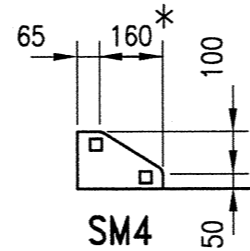
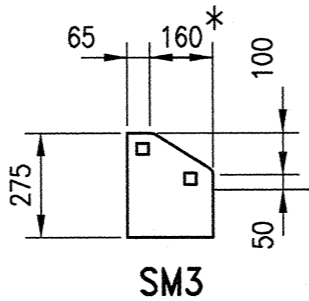
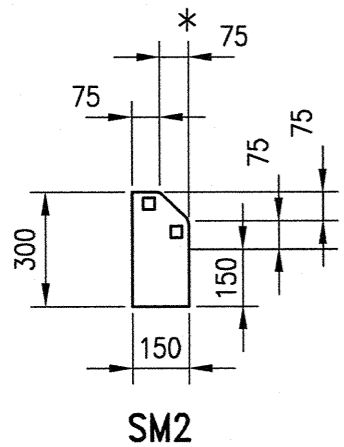
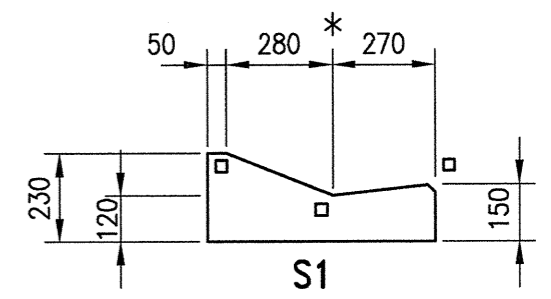
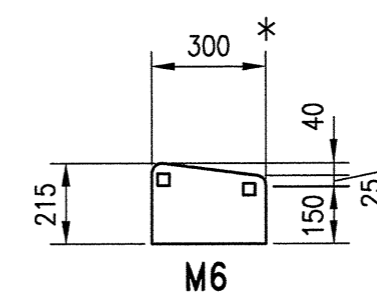
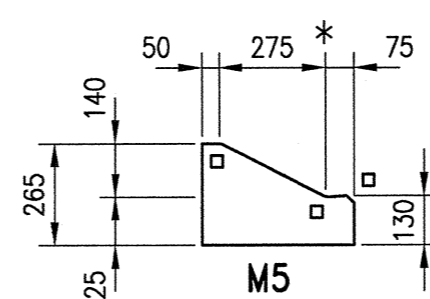
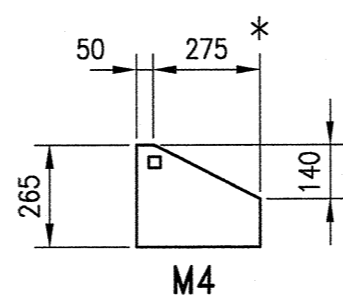
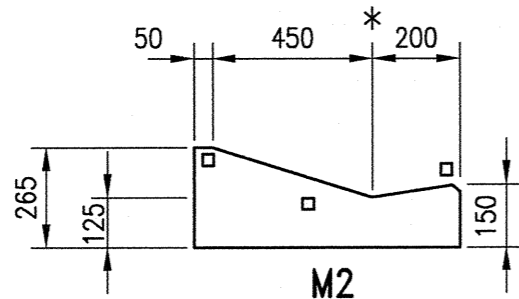
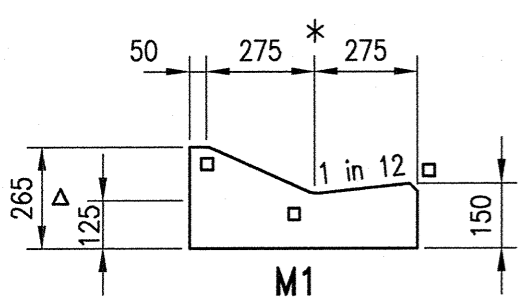


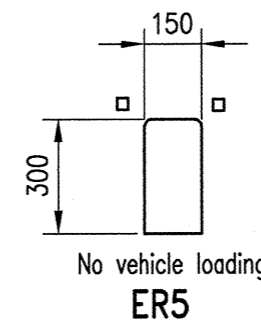
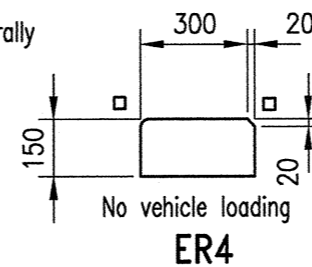
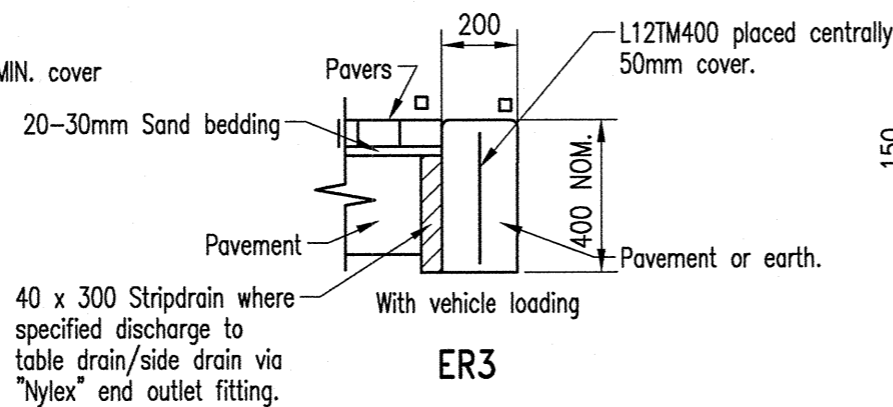
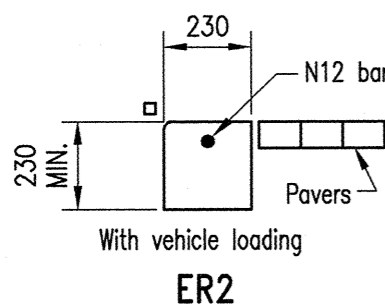
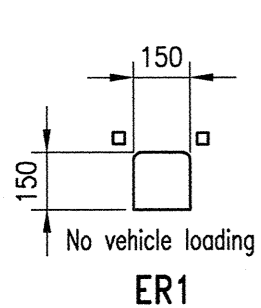
BARRIER TYPE



SEMI - MOUNTABLE TYPE



MOUNTABLE TYPE



EDGE RESTRAINTS

NOTES

1. All materials and construction shall comply with AS 2876 except for dimensions on this drawing.
2. Profile not shown on this drawing can be used on written approval from Council's Engineer.
3. All concrete N32 MIN (Special mix for kerb construction) in accordance with AS 1379 and AS 3600.
4. All reinforcement to AS 4671.
5. All dimensions in millimetres.

LEGEND

- * Width of carriageway to be measured from here.
- Channel - invert width - refer project drawings.
- R20 Radius.
- △ Additional 50mm base thickness for industrial roads/areas.

REVISIONS					
AMENDMENT	INITIALS	DATE	AMENDMENT	INITIALS	DATE
F					
E					
D			Note3 Conc. designation altered		
C			Dimensions amended		
B			Extra base thickness, M2 & S1 kerb types and notes amended.		
A			ORIGINAL ISSUE		

IPSWICH CITY COUNCIL

50 SOUTH STREET
IPSWICH 4305
P.O. BOX 191



Phone (07) 3810 7894
(07) 3810 7927
Fax (07) 3810 7950

APPROVED

[Signature]
WORKS MANAGER
DATE 14.9.10

STANDARD DRAWING

STANDARD KERB AND CHANNEL PROFILES
INCLUDING EDGE RESTRAINTS,
MEDIAN AND INVERTS

ROADWORKS

SR.11

REV: D DRAWER: 100