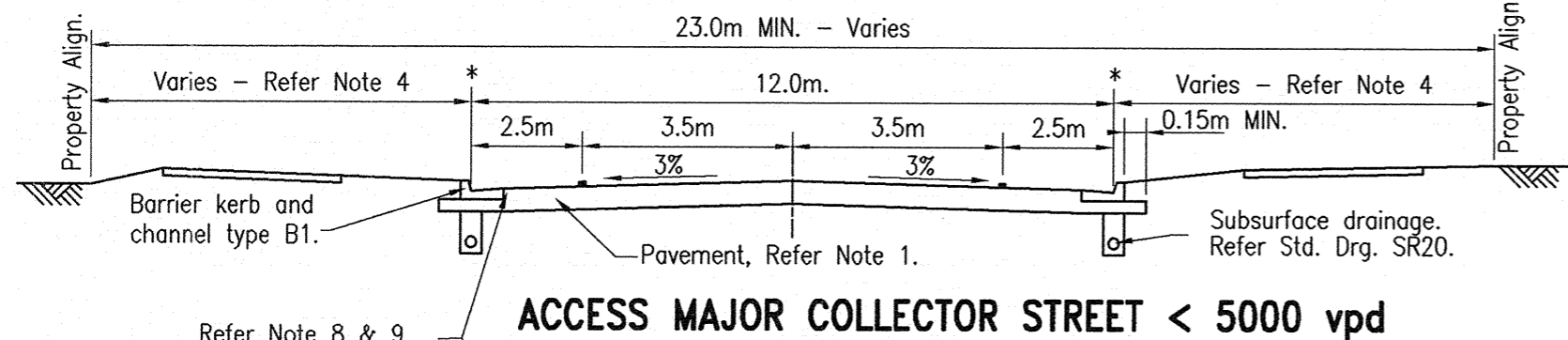


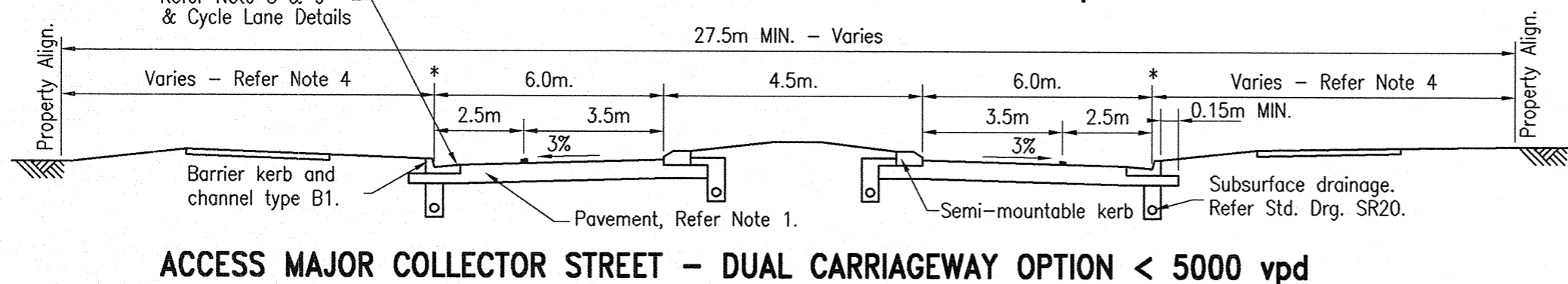
**NOTES**

1. For pavement design requirements, refer Planning Scheme Policy 3 - General Works.
2. Refer SR.11 for Standard Kerb Types.
3. Refer SR.06 for Standard Verge and Access Profiles for Access and Collector Streets.
4. Refer SR.07 for Standard Verge and Access Profiles for Major Collector Streets.
5. Footpath to be provided on one side of Access and Collector Streets.
6. Shared pathways to be provided on both sides of Major Collector Streets.
7. 1.5M wide cycle lane shall be provided on No Access Major Collector Streets. White bicycle symbol to be installed 50mm from edge line. Symbol size and spacing in accordance with AS1742.9
8. 2.5m wide parking/cycle lane shall be provided on Access Major Collector Streets. Yellow bicycle symbol to be installed in break in edge line. Symbols size and spacing in accordance with AS1742.9
9. Landscaped kerb buildouts (1.8m wide max.) shall be provided on Access Major Collector Streets, as directed by Council's Engineer.
10. All dimensions in metres unless noted otherwise.



**LEGEND**

\*Extent of carriageway - invert of kerb and channel.

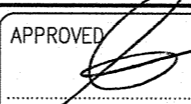


**ACCESS MAJOR COLLECTOR STREET - DUAL CARRIAGEWAY OPTION < 5000 vpd**

| REVISIONS   |          |      |           |          |      |
|---|----------|------|-----------|----------|------|
| AMENDMENT   | INITIALS | DATE | AMENDMENT | INITIALS | DATE |
| F Widths amended on Access Place and Access Street and Collector Street | L        |      |           |          |      |
| E Travel & Cycle Lane Widths altered Access Major Collector             | K        |      |           |          |      |
| D Amend kerb Types, Note 8 altered                                      | J        |      |           |          |      |
| C Revised to include cycle lanes.                                       | I        |      |           |          |      |
| B Amended to refer to New Town Plan.                                    | H        |      |           |          |      |
| A ORIGINAL ISSUE  | G        |      |           |          |      |

**IPSWICH CITY COUNCIL**  
 45 Roderick St  
 P.O. Box 191  
 Ipswich QLD 4305  
 Australia

Tel (07) 3810 7894  
 Tel (07) 3810 7927  
 Fax (07) 3810 7950

APPROVED   
 CHIEF OPERATING OFFICER (WPR)  
 DATE 29-7-13

**STANDARD DRAWING**

TYPICAL CROSS SECTIONS  
 RESIDENTIAL STREETS

ROADWORKS

**SR.02**

REV: F DRAWER: 100