

REINFORCEMENT - 1050 DIA. ACCESS CHAMBER

BAR No.	SHAPE	a'/b'	OVERALL LENGTH	No. OFF	TOTAL LENGTH
1	HH	1130	1370	1	1370
2	HH	1230	1470	1	1470
3	HH	1300	1540	1	1540
4	HH	1350	1590	1	1590
5	HH	1380	1620	1	1620
6	HH	1275	1515	2	3030
7	HH	1165	1405	2	2810
8	HH	1005	1245	2	2490
9	HH	760	1000	2	2000
10	HH	420	660	2	1320
11	HH	330	570	2	1140
12	HH	280	520	2	1040
13	HH	835	1075	1	1075
14	CT	765	2555	1	2555
15	CT	1365	4440	1	4440
TOTAL					29490

STEEL MASS: 49kg (including mesh)
 CONCRETE: 0.26m³
 TOTAL MASS: 666kg

REINFORCEMENT - 1200 DIA. ACCESS CHAMBER

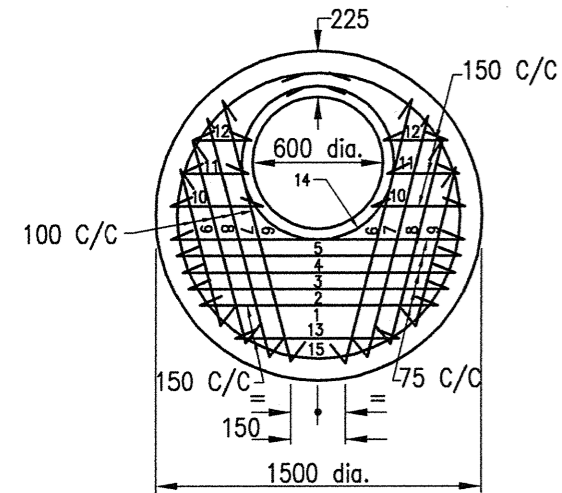
BAR No.	SHAPE	a'/b'	OVERALL LENGTH	No. OFF	TOTAL LENGTH
1	HH	1210	1450	1	1450
2	HH	1400	1640	1	1640
3	HH	1460	1700	1	1700
4	HH	1500	1740	1	1740
5	HH	1530	1770	1	1770
6	HH	1540	1780	1	1780
7	HH	1450	1690	2	3380
8	HH	1370	1610	2	3220
9	HH	1240	1480	2	2960
10	HH	1060	1300	2	2600
11	HH	480	720	2	1440
12	HH	385	625	2	1250
13	HH	320	560	2	1120
14	CT	765	2555	1	2555
15	CT	1515	4915	1	4915
TOTAL					33520

STEEL MASS: 57kg (including mesh)
 CONCRETE: 0.33m³
 TOTAL MASS: 845kg

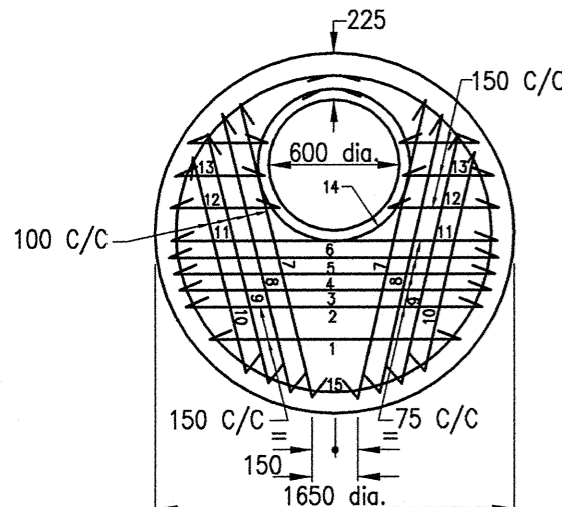
REINFORCEMENT - 1500 DIA. ACCESS CHAMBER

BAR No.	SHAPE	a'/b'	OVERALL LENGTH	No. OFF	TOTAL LENGTH
1	HH	1340	1580	1	1580
2	HH	1575	1815	1	1815
3	HH	1655	1895	1	1895
4	HH	1725	1965	1	1965
5	HH	1775	2015	1	2015
6	HH	1810	2050	1	2050
7	HH	1835	2075	1	2075
8	HH	1850	2090	3	6270
9	HH	480	720	2	1440
10	HH	400	640	2	1280
11	HH	1780	2020	2	4040
12	HH	1710	1950	2	3900
13	HH	1610	1850	2	3700
14	HH	1480	1720	2	3440
15	HH	1310	1550	2	3100
16	HH	595	835	2	1670
17	CT	765	2555	1	2555
18	CT	1815	5855	1	5855
TOTAL					50645

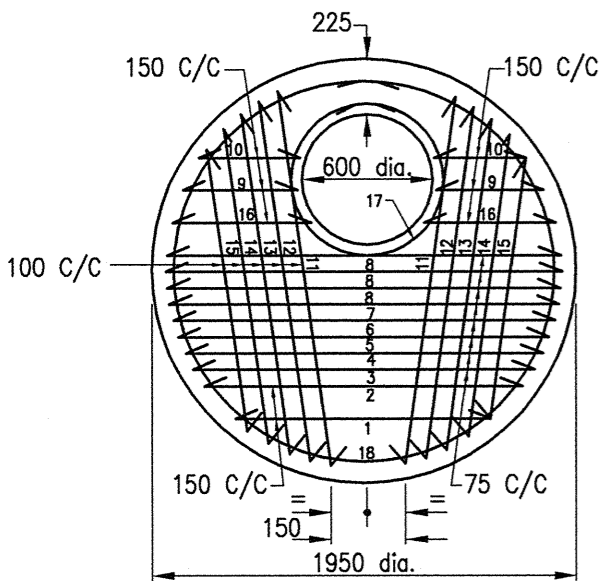
STEEL MASS: 90kg (including mesh)
 CONCRETE: 0.54m³
 TOTAL MASS: 1382kg



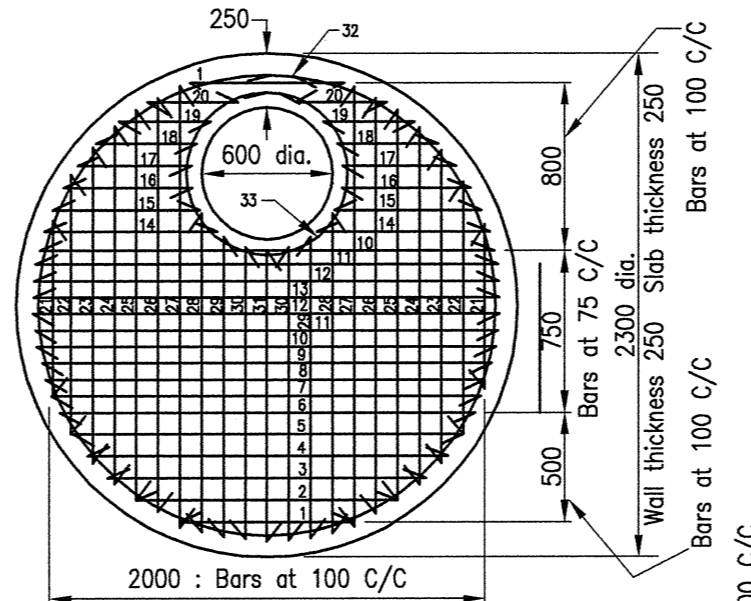
Wall thickness 225 Slab thickness 175
1050 DIA ACCESS CHAMBER



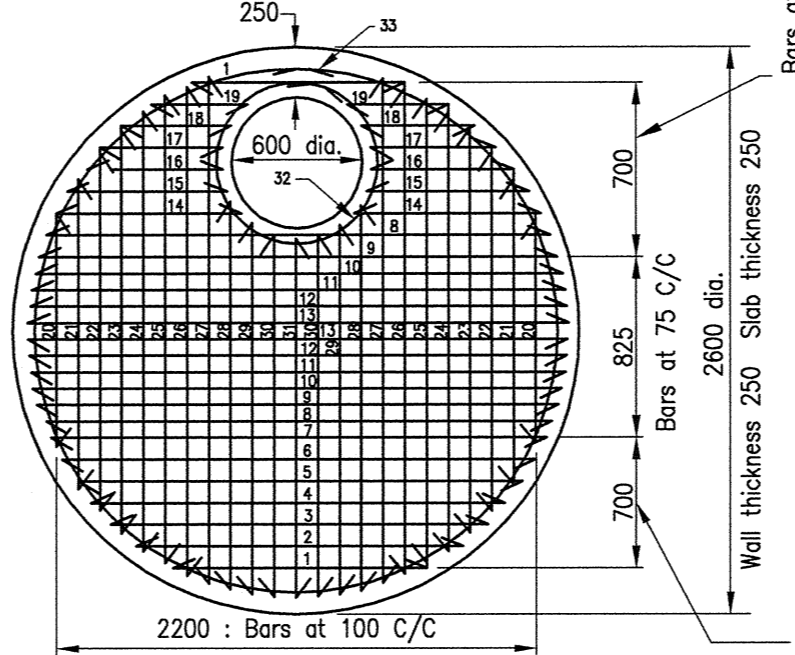
Wall thickness 225 Slab thickness 175
1200 DIA ACCESS CHAMBER



Wall thickness 225 Slab thickness 200
1500 DIA ACCESS CHAMBER



1800 DIA ACCESS CHAMBER



2100 DIA ACCESS CHAMBER

NOTES

- Concrete class to be N40/20 in accordance with AS 1379 and AS 3600.
- Reinforcement in roof slabs : Cover to reinforcing steel to be 30mm unless shown otherwise. Exposure classification B1. Reinforcing steel to be Grade 400Y to AS 4671. Reinforcing mesh to AS 4671.
- For lifting anchor locations and details, refer Standard Drawing No SD.02.
- Roof designed for W7 loading (impact factor 100 percent, ultimate live load factor 1.5).
- Slab thickness does not include 15mm rebate. Refer Typical Part Section for details.
- Welding symbols are to AS 1101.3. Welding to be to AS/NZS 1554.1. Welding consumables to be E48XX or W50X.
- Bottom reinforcement only shown on plans. Top reinforcement to be SL82 mesh as detailed in Typical Part Section.
- Dimensions are in millimetres unless shown otherwise.

REINFORCEMENT - 1800 DIA. ACCESS CHAMBER

BAR No.	SHAPE	a'/b'	OVERALL LENGTH	No. OFF	TOTAL LENGTH
1	HH	800	1040	2	2080
2	HH	1190	1430	1	1430
3	HH	1455	1695	1	1695
4	HH	1655	1895	1	1895
5	HH	1810	2050	1	2050
6	HH	1935	2175	1	2175
7	HH	2010	2250	1	2250
8	HH	2070	2310	1	2310
9	HH	2120	2360	1	2360
10	HH	2155	2395	2	4790
11	HH	2180	2420	2	4840
12	HH	2195	2435	2	4870
13	HH	2200	2440	1	2440
14	HH	835	1075	2	2150
15	HH	710	950	2	1900
16	HH	625	865	2	1730

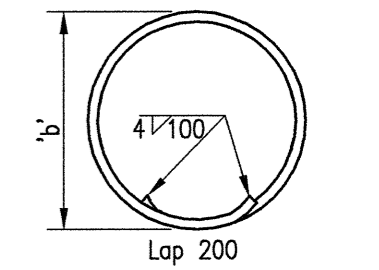
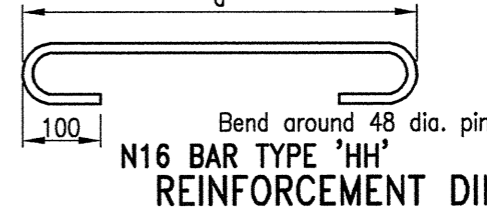
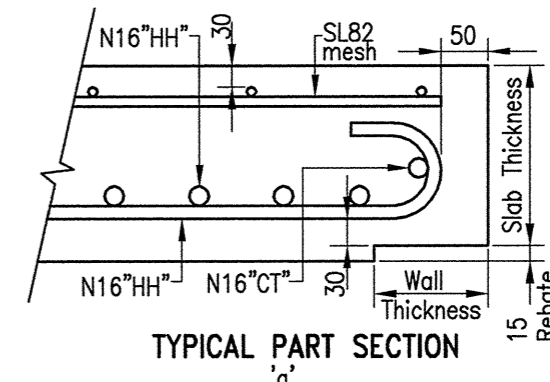
STEEL MASS: 165kg (including mesh)
 CONCRETE: 0.97m³
 TOTAL MASS: 2483kg

REINFORCEMENT - 2100 DIA. ACCESS CHAMBER

BAR No.	SHAPE	a'/b'	OVERALL LENGTH	No. OFF	TOTAL LENGTH
1	HH	1140	1380	2	2760
2	HH	1470	1710	1	1710
3	HH	1710	1950	1	1950
4	HH	1900	2140	1	2140
5	HH	2055	2295	1	2295
6	HH	2180	2420	1	2420
7	HH	2280	2520	1	2520
8	HH	2360	2600	2	5200
9	HH	2410	2650	2	5300
10	HH	2445	2685	2	5370
11	HH	2470	2710	2	5420
12	HH	2490	2730	2	5460
13	HH	2500	2740	2	5480
14	HH	885	1125	2	2250
15	HH	770	1010	2	2020
16	HH	680	920	2	1840

STEEL MASS: 205kg (including mesh)
 CONCRETE: 1.26m³
 TOTAL MASS: 3226kg

BAR No.	SHAPE	a'/b'	OVERALL LENGTH	No. OFF	TOTAL LENGTH
17	HH	555	795	2	1590
18	HH	500	740	2	1480
19	HH	460	700	2	1400
20	HH	465	705	2	1410
21	HH	915	1155	2	2310
22	HH	1265	1505	2	3010
23	HH	1510	1750	2	3500
24	HH	1700	1940	2	3880
25	HH	1845	2085	2	4170
26	HH	1960	2200	2	4400
27	HH	2050	2290	2	4580
28	HH	1480	1720	2	3440
29	HH	1395	1635	2	3270
30	HH	1360	1600	2	3200
31	HH	1350	1590	1	3180
32	CT	765	2555	1	2555
33	CT	2165	6955	1	6955
TOTAL					95295



REVISIONS					
AMENDMENT	INITIALS	DATE	AMENDMENT	INITIALS	DATE
F				L	
E				K	
D				J	
C				I	
B				H	
A				G	

IPSWICH CITY COUNCIL
 45 Roderick St
 P.O. Box 191
 Ipswich QLD 4305
 Australia

Tel (07) 3810 7894
 Tel (07) 3810 7927
 Fax (07) 3810 7950

APPROVED

 CHIEF OPERATING OFFICER (ES)
 DATE 14.9.10

STANDARD DRAWING
STANDARD ACCESS CHAMBER
ROOF SLABS
1050 TO 2100 DIA.

DRAINAGE
SD.03
 REV: B DRAWER: 100