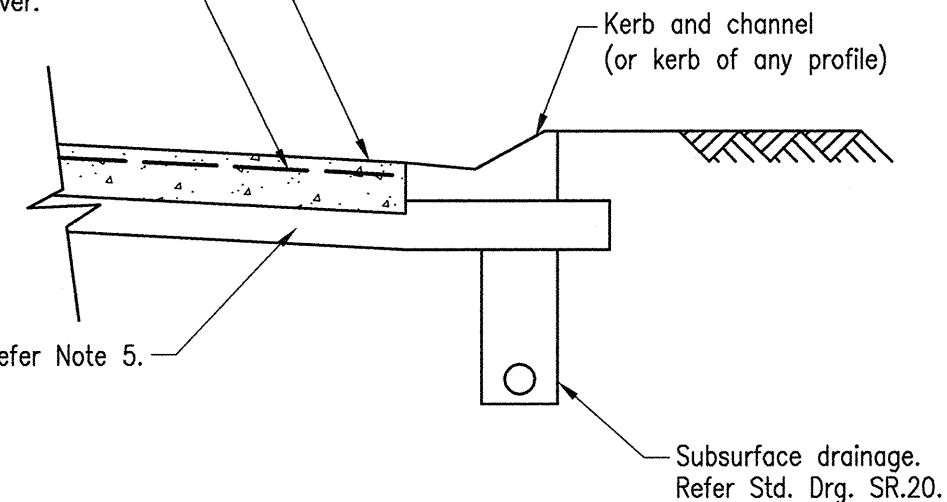


**PLAN**  
NOT TO SCALE

200mm thick N32/20 concrete slab.  
Full depth colour to be used.  
Finish as specified on project drawings.

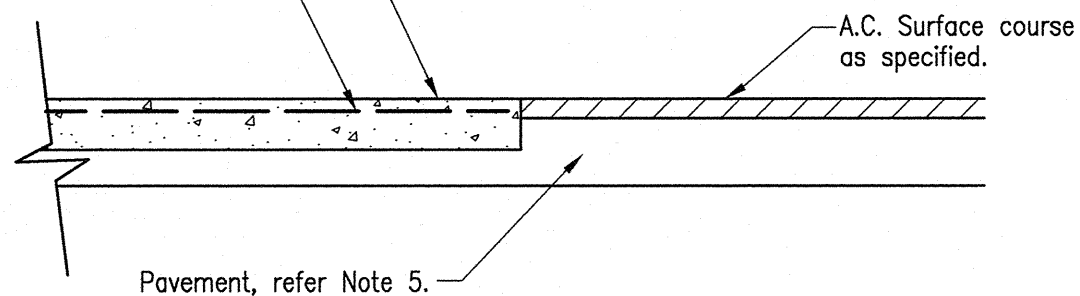
SL92 reinforcing fabric. 50mm  
top and edge cover.



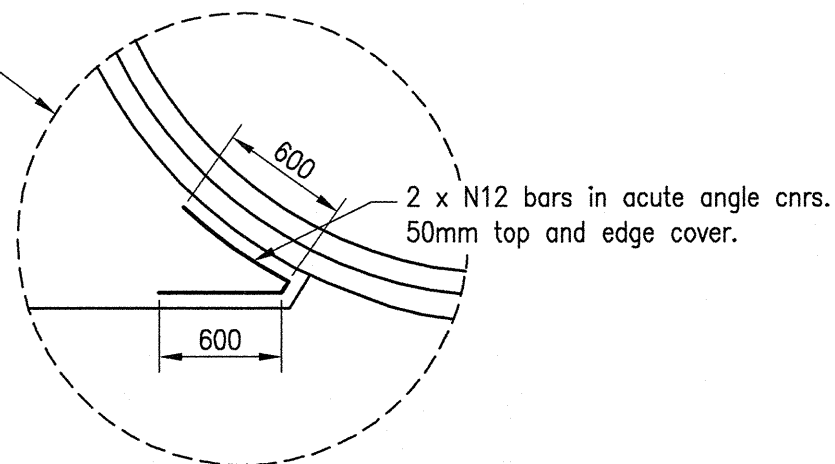
**SECTION A-A**  
NOT TO SCALE

200mm thick N32/20 concrete slab.  
Full depth colour to be used.  
Finish as specified on project drawings.

SL92 reinforcing fabric. 50mm  
top and edge cover.



**SECTION B-B**  
NOT TO SCALE



**NOTES**

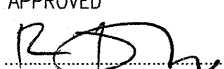
1. This is an example drawing only. It is the designer's responsibility to ensure that the individual design complies with the relevant standards.
2. Concrete N32 in accordance with the AS 1379 and AS 3600 with colour additive for coloured concrete threshold treatments.
3. Reinforcing fabric to AS 4671. 50mm top and edge cover Lap fabric 250mm.
4. Depths of concrete and reinforcing steel shown are the minimum requirements for good foundation conditions. and average traffic loading. Where this does not apply, depths of concrete and reinforcing shall be increased to suit specific conditions.
5. For pavement design requirements refer to Planning Scheme Policy 3 – General Works.
6. Dimensions are in millimetres unless noted otherwise.

**TYPICAL THRESHOLD TREATMENT**

REVISIONS					
AMENDMENT	INITIALS	DATE	AMENDMENT	INITIALS	DATE
F				L	
E				K	
D				J	
C	M	14/9	Note 2 Conc. Redefined as N32	I	
B	M	14/9	Amended to refer to New Town Plan and extra reinforcing.	H	
A			ORIGINAL ISSUE	G	

**IPSWICH CITY COUNCIL**  
 45 Roderick St  
 P.O. Box 191  
 Ipswich QLD 4305  
 Australia

Tel (07) 3810 7894  
 Tel (07) 3810 7927  
 Fax (07) 3810 7950

APPROVED  
  
 CHIEF OPERATING OFFICER (ES)  
 DATE 14.9.10

**STANDARD DRAWING**

**TYPICAL CONCRETE THRESHOLD TREATMENT**

**ROADWORKS**

**SR.28**

REV: C DRAWER: 100