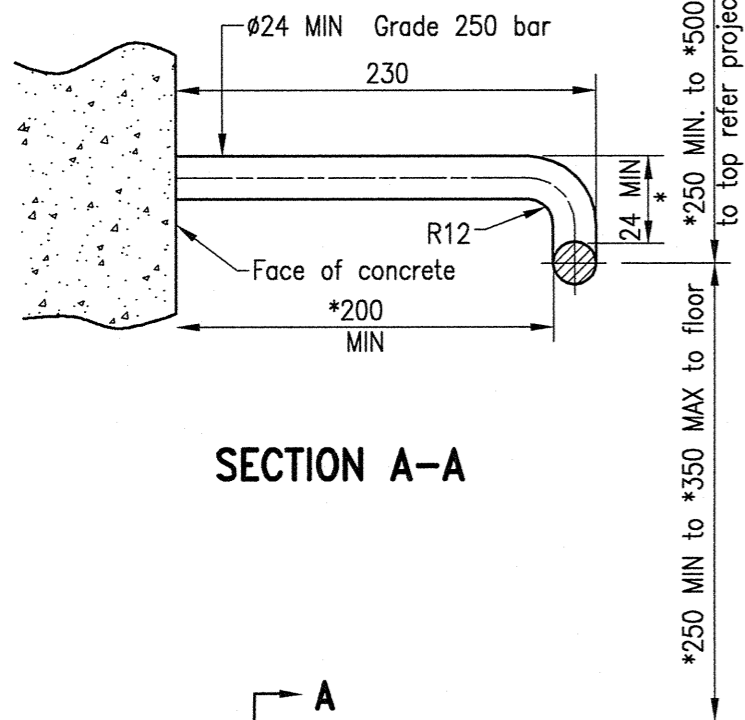
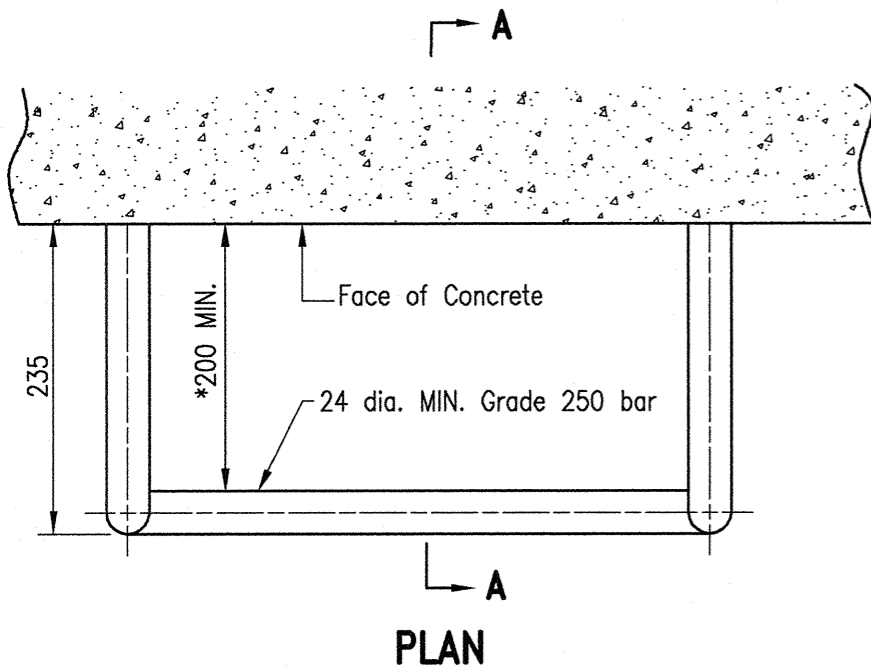


END ELEVATION

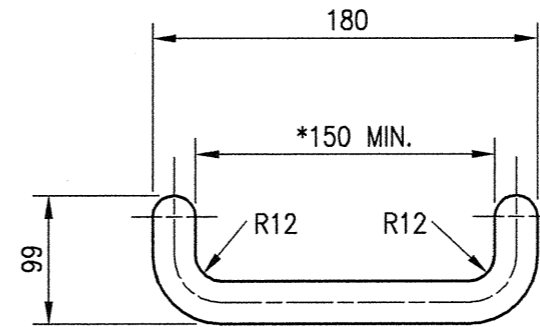


SECTION A-A

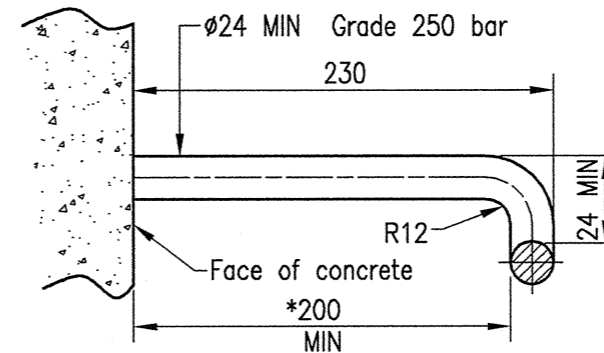


PLAN

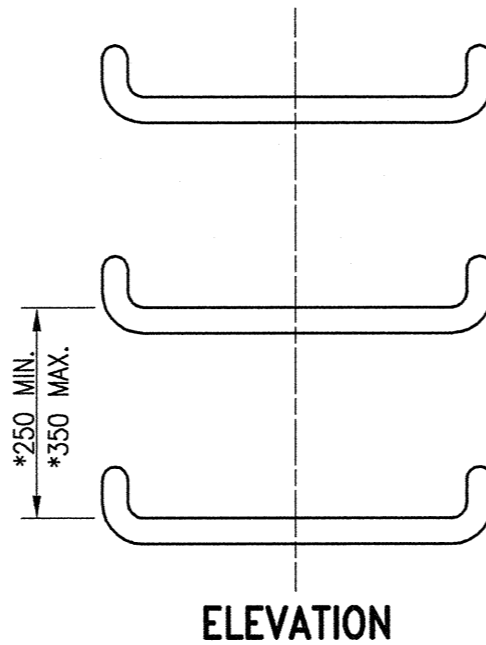
TYPE 1 - INDIVIDUAL RUNG



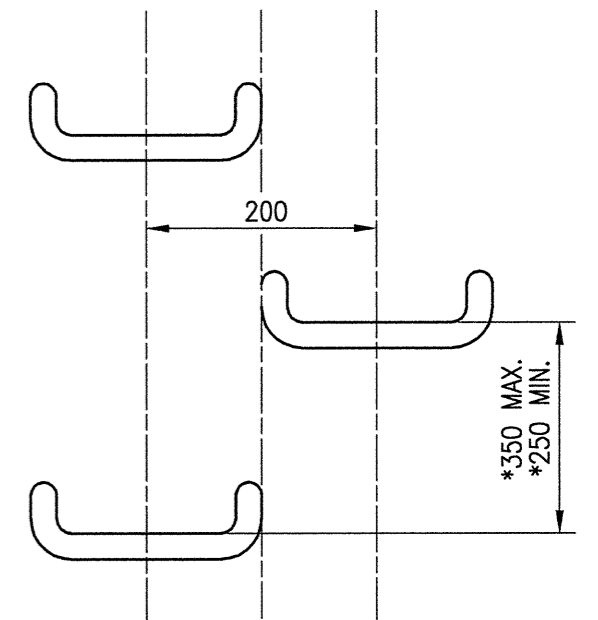
END ELEVATION



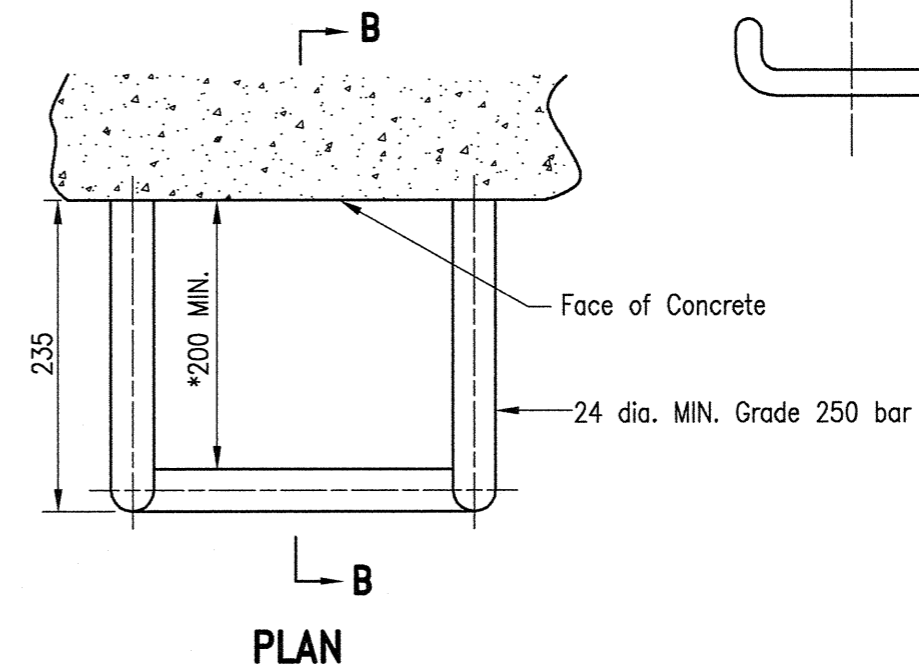
SECTION B-B



ELEVATION



ELEVATION



PLAN

TYPE 2 - INDIVIDUAL RUNG WITH COPLANAR RUNGS

NOTES

1. Steel Grade 250 bar to AS 3679, hot dip galvanized after bending to AS 4680.
2. Step Rungs to comply with AS 1657.
3. Council approved prefabricated step rungs may be used and installed according to manufacturer's specifications.
4. Dimensions are in millimetres unless shown otherwise.

LEGEND

\* MIN. and MAX. dimensions as per AS 1657

REVISIONS					
AMENDMENT	INITIALS	DATE	AMENDMENT	INITIALS	DATE
F				L	
E				K	
D				J	
C				I	
B				H	
A				G	

Note 1 Aust. Stds. Updated.  
ORIGINAL ISSUE

**IPSWICH CITY COUNCIL**  
 45 Roderick St  
 P.O. Box 191  
 Ipswich QLD 4305  
 Australia

Tel (07) 3810 7894  
 Tel (07) 3810 7927  
 Fax (07) 3810 7950

APPROVED  
  
 CHIEF OPERATING OFFICER (ES)  
 DATE 14.02.10

**STANDARD DRAWING**

STANDARD STEP RUNGS

DRAINAGE

**SD.10**

REV: B DRAWER: 100