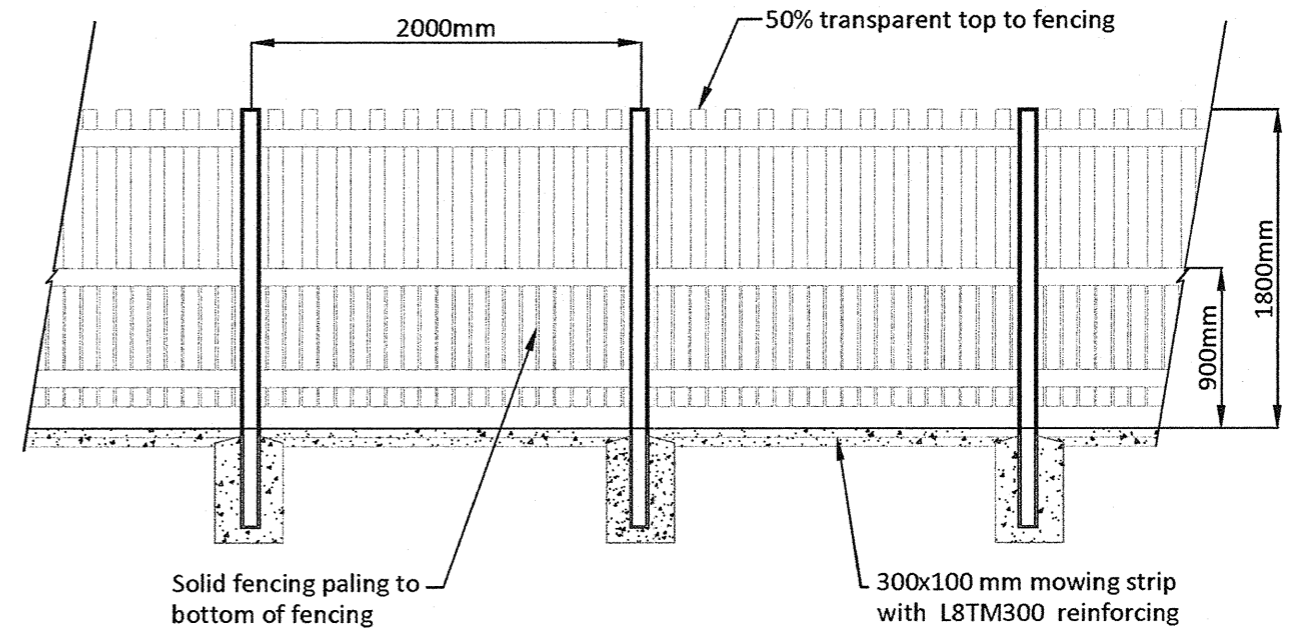


SECTION - THOUGH FENCE



ELEVATION - FENCE

NOTES:

1. All timber to be durability Class 1 H.W free from sapwood splinters and defects.
2. All timber to be CCA treated.
3. All fixings to be H.D Galv. steel.
4. 5mm arris to all exposed edges.
5. Where coloured finish required, paint timber with 1 coat of oil based primer and 2 coats of approved acrylic exterior paint. Colour to be approved by ICC.
6. Where natural finish is required, paint all timber with 1 coat of clear water repellent following fabrication. After construction paint fence with 1 coat of the same.

REVISIONS					
AMENDMENT	INITIALS	DATE	AMENDMENT	INITIALS	DATE
F				L	
E				K	
D				J	
C	Notes Altered			I	
B	Notes Altered			H	
A	ORIGINAL ISSUE			G	

IPSWICH CITY COUNCIL
 45 Roderick St
 P.O. Box 191
 Ipswich QLD 4305
 Australia

Tel (07) 3810 7894
 Tel (07) 3810 7927
 Fax (07) 3810 7950

APPROVED

 CHIEF OPERATING OFFICER (WPR)
 DATE: 29-7-13

STANDARD DRAWING
FENCE - 1800MM HIGH TIMBER

PARKS
SP.40
 REV: C DRAWER: 100