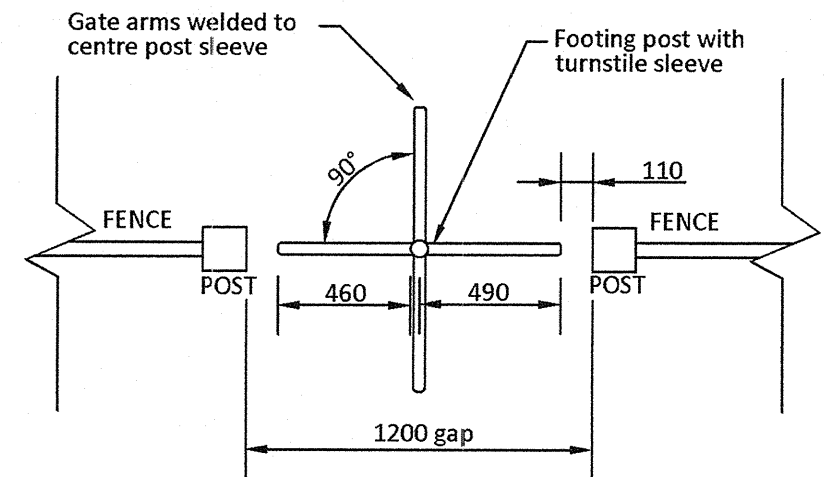
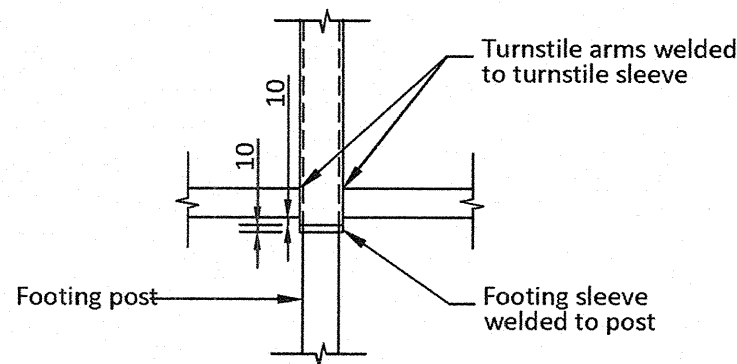


**ELEVATION**  
Scale: 1:25



**PLAN**  
Scale: 1:25



**SLEEVE DETAIL**  
Scale: 1:10

**NOTES:**

1. Metal work fabrication to be hot dipped galvanised in accordance with AS4680.
2. All welds to be in accordance with AS1554 with continuous fillet welds and ground smooth.
3. Post to be set vertical.
4. Post to have a galv. steel end cap.
5. Concrete footings are to be no fines concrete, 10mm max. aggregate size and shall be ready mixed or hand mixed in accordance with AS1379-2007. Concrete footings are to taper away from posts. Any concrete slurry to be cleaned from posts.
6. Colour finish of gate to be approved by ICC.

REVISIONS					
AMENDMENT	INITIALS	DATE	AMENDMENT	INITIALS	DATE
F				L	
E				K	
D				J	
C				I	
B				H	
A				G	
ORIGINAL ISSUE					

**IPSWICH CITY COUNCIL**  
 45 Roderick St  
 P.O. Box 191  
 Ipswich QLD 4305  
 Australia

Tel (07) 3810 7894  
 Tel (07) 3810 7927  
 Fax (07) 3810 7950

APPROVED  
  
 CHIEF OPERATING OFFICER (WPR)  
 DATE 29-7-13

**STANDARD DRAWING**  
**GATE: NATURAL AREAS/BUSHLAND TURNSTILE**

PARKS  
**SP.103**  
 REV: A DRAWER: 100