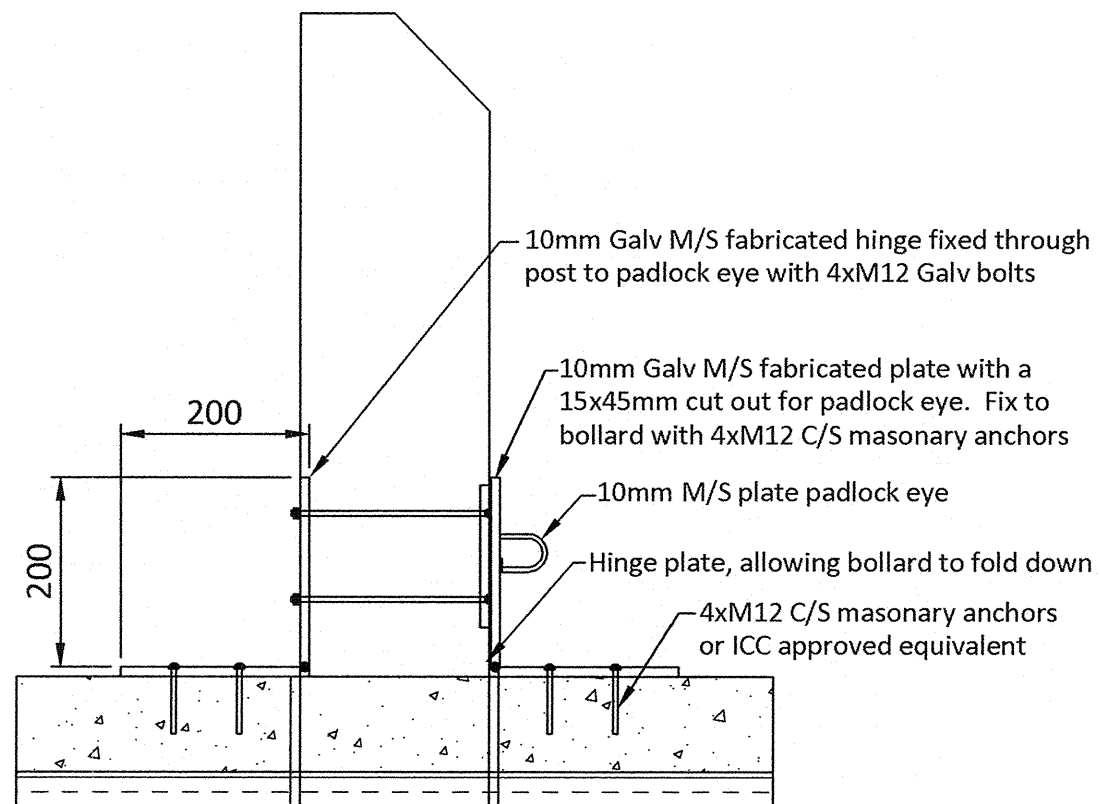


SECTION: THROUGH REMOVABLE BOLLARD
SCALE:1:8



SECTION: HINGE DETAIL
SCALE:1:8


NOTES:

1. Removable bollard position must be approved by ICC.
2. Where bollards are retrofitted, all surrounding surfaces are to be made to match existing.
3. All fixtures/ fittings are to be hot dipped galvanised unless otherwise specified.
4. Grind edges and welds smooth prior to H.D.G or finishes applied.
5. All welds to be continuous and ground off to make smooth and flush.
6. Where possible all fixings to be tamper/vandal proof.
7. Concrete footings are to be no fines concrete 20mm max. aggregate size and shall be ready mixed or hand mixed in accordance with AS1379-2007.
8. Concrete to fall away from bollard.
9. Install at equal centres of 1500mm max.
10. Bollard arris to face park.
11. ICC to supply and install padlock. ICC to be informed once bollard is installed.

| REVISIONS | | | | | |
|-----------|----------------|------|-----------|----------|------|
| AMENDMENT | INITIALS | DATE | AMENDMENT | INITIALS | DATE |
| F | | | | L | |
| E | | | | K | |
| D | | | | J | |
| C | | | | I | |
| B | | | | H | |
| A | ORIGINAL ISSUE | | | G | |

IPSWICH CITY COUNCIL
 45 Roderick St
 P.O. Box 191
 Ipswich QLD 4305
 Australia

Tel (07) 3810 7894
 Tel (07) 3810 7927
 Fax (07) 3810 7950

APPROVED

 CHIEF OPERATING OFFICER (WPR)
 DATE 29-7-13

STANDARD DRAWING
FENCE - REMOVABLE TIMBER BOLLARD

PARKS
SP.84
 REV: A DRAWER: 100