

ELEVATION: GATE SET OUT
S???: ?:??

WIRE ARRANGEMENT REQUIREMENTS:

FAUNA FENCING	CATTLE FENCING	HORSE FENCING
W1 - Plain wire	W1 - Barb wire	W1 - Sight wire or barb wire
W2 - Barb wire	W2 - Barb wire	W2 - Barb wire
W3 - Barb wire	W3 - Barb wire	W3 - Barb wire
W4 - Plain wire	W4 - Plain wire	W4 - Plain wire

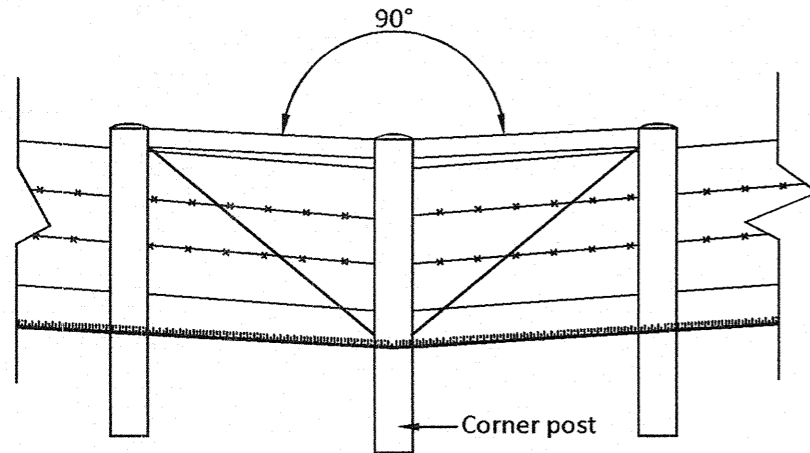
POST ARRANGEMENT REQUIREMENTS:

ROUND POSTS: Set every 100m
 SPLIT POSTS: Set every 25m
 STAR PICKETS: Set every 5m

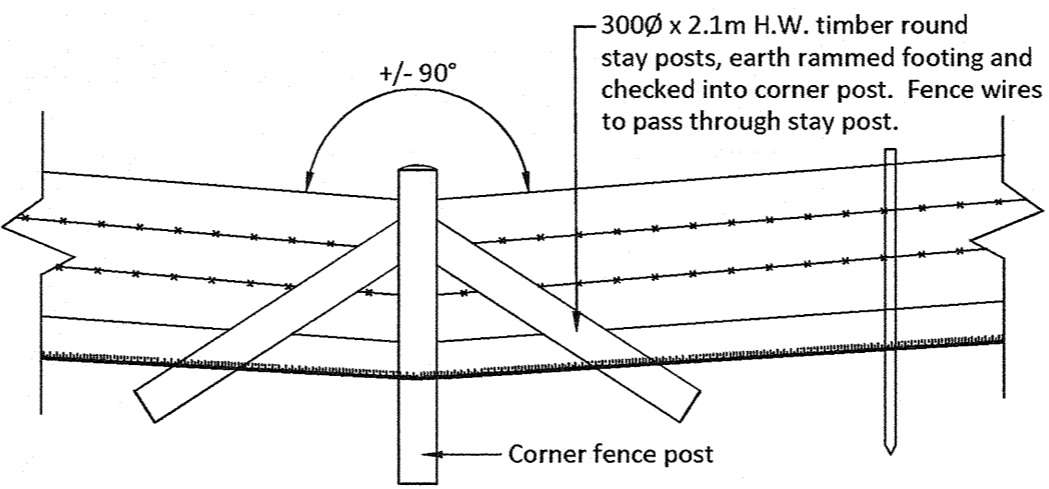
Note: This may need to vary due to topography of site.

NOTES:

- All timber posts and struts shall be of approved hardwood.
- Ensure all timber has smooth external surfaces edges and chamfers, free from splinters.
- Post to be set vertical with domed top.
- Footings:
 Option 1: Concrete footings are to be no fines concrete, 10mm max. aggregate size and shall be ready mixed or hand mixed in accordance with AS1379-2007. Concrete footings are to taper away from posts. Any concrete slurry to be cleaned from posts.
 Option 2: Posts and split posts to be earth rammed. This option is only to be carried out if requested by ICC.
- Galv. fencing wire to AS2423-2002 and all wire (Barb, Plain & Sight) is to be tied to star pickets.
- All welds to be in accordance with AS1554 with continuous fillet welds and ground smooth.
- Colour finish of gate to be approved by ICC.
- Padlock for gate to be supplied by ICC.
- Positioning of gate must allow for ease of access for maintenance vehicle, free of obstructions.



90° PROPERTY BOUNDARY CORNER TREATMENT



90° PROPERTY BOUNDARY CORNER TREATMENT

REVISIONS					
AMENDMENT	INITIALS	DATE	AMENDMENT	INITIALS	DATE
F				L	
E				K	
D				J	
C				I	
B				H	
A				G	

ORIGINAL ISSUE

IPSWICH CITY COUNCIL
 45 Roderick St
 P.O. Box 191
 Ipswich QLD 4305
 Australia

Tel (07) 3810 7894
 Tel (07) 3810 7927
 Fax (07) 3810 7950

APPROVED

 CHIEF OPERATING OFFICER (WPR)
 DATE 29-7-13

STANDARD DRAWING
FENCE - NATURAL AREAS BARBED WIRE FENCE
FAUNA/CATTLE/HORSE

PARKS
SP.99
 REV: A DRAWER: 100