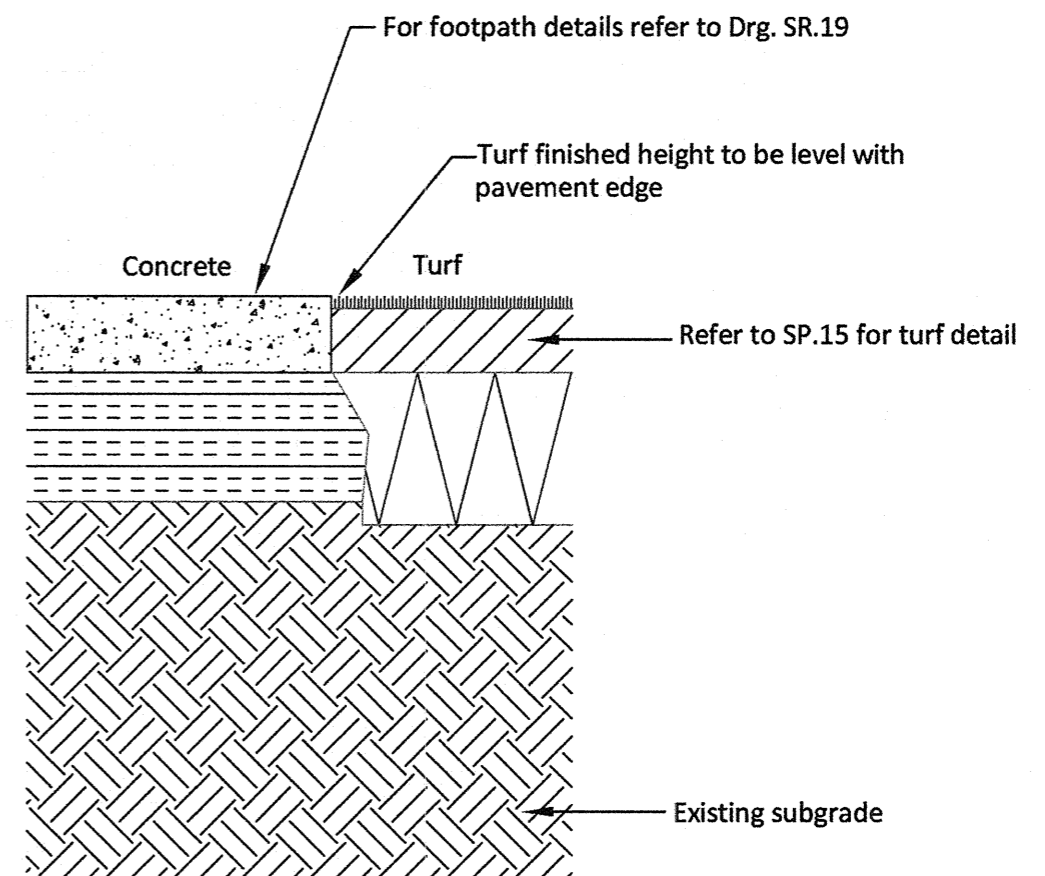


SECTION - FOOTPATH TO GARDEN BED



SECTION - FOOTPATH TO TURF

REVISIONS					
AMENDMENT	INITIALS	DATE	AMENDMENT	INITIALS	DATE
F				L	
E				K	
D				J	
C	Notes Altered			I	
B	Notes Altered			H	
A	ORIGINAL ISSUE			G	

IPSWICH CITY COUNCIL
 45 Roderick St
 P.O. Box 191
 Ipswich QLD 4305
 Australia

Tel (07) 3810 7894
 Tel (07) 3810 7927
 Fax (07) 3810 7950

APPROVED

CHIEF OPERATING OFFICER (WPR)

DATE 29-7-13

STANDARD DRAWING

CONCRETE PAVEMENT TO GRASSED/PLANTING AREA

PARKS

SP.24

REV: C DRAWER: 100